

In Between ^{SK25}

Sami Kallio

2024



Product description

Conference table

Environment

Indoor

Material

Solid oak and oak veneer. This product has not been treated with any biocides.

Production process

The table top is made from oak veneer on the top and edges. The legs are made of solid wood while wood blocks are used to attach the legs to the table top.

Variants

Black Lacquered Oak, Clear Lacquered Oak, Smoked Lacquered Oak. Also available with Fenix Nano Laminate and Forbo Linoleum table top.

Gliders

Plastic gliders

Dimensions

Available as Made to order with 8 weeks lead time.
L: +300cm-500cm / 118in-197in. W: 90cm-120 cm / 35in-47in, H: 73cm / 29in

Packaging Dimensions

Packaging dimensions dependant on size ordered.

Weight

Weight dependant on size ordered.

Manufacturer

Produced in Denmark by Kvist

Certifications



FSC® Mix 70%

Impact

1. Made in a factory powered by certified renewable energy.
2. Designed for disassembly, enabling easier repair, renovation and replacement of parts.
3. Uses FSC® certified wood, supporting responsible management of the world's forests.

Strength, durability and safety testing

The table is tested for strength, durability and safety according to EN 15372 (Contract Use)

Cleaning instructions

Please download our Material Care & Cleaning instructions through www.andtradition.com

Related products



SK23



SK24



SK13

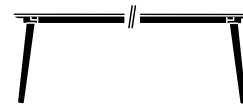


SK14



SK15

In Between ^{SK25} by Sami Kallio 2024

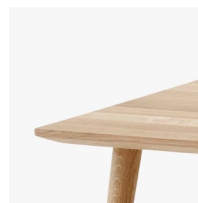


H: 73cm/29in

L: +300cm-500cm / 118in-197in
W: 90cm-120 cm / 35in-47in



Black Lacquered Oak



Clear Lacquered Oak



Smoked Lacquered Oak

&Tradition®



SK25

Recycling & Disassembly

In Between SK5, SK6 & SK25

RECYCLING

The In Between table is built to last, and we hope that your table will serve you for many years. The table is made from solid wood and wood veneer, and can be easily separated from its base.

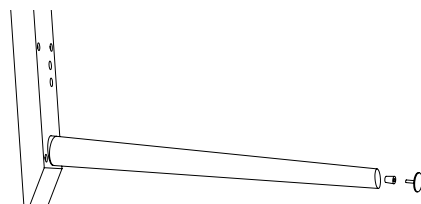
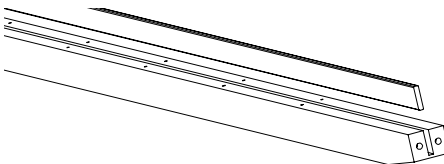
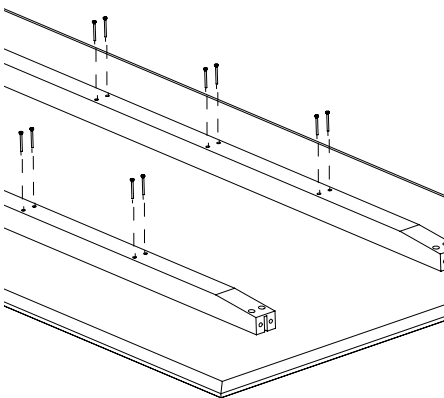
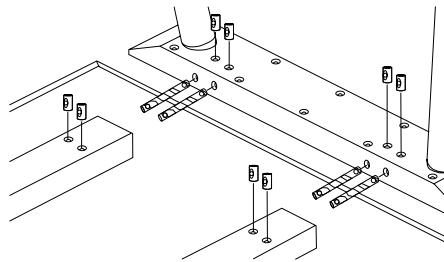
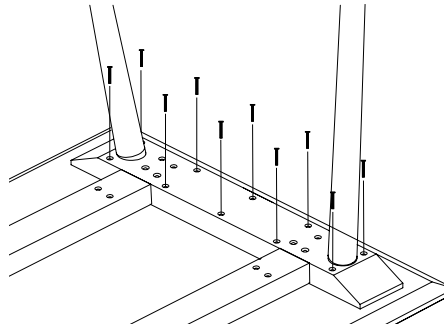
All metal and wooden parts can be separated and delivered to a suitable recycling station.

SPARE PARTS

To purchase spare parts for your In Between table, please write to our sales support team at info@andtradition.com with your query.

5 YEAR WARRANTY

&Tradition provides a 5-year warranty with every In Between table, which covers faults which were present at the time of purchase, or which have occurred as a result of a manufacturing defect. The warranty is valid from the date stated on the original invoice.



DISASSEMBLY

1. Unscrew the bolts in the aprons

2. Loosen the set nuts in the aprons and the stretcher with an Allen key.

Remove the apron from the stretcher. Remove the nuts and the metal dowels.

3. Unscrew the screws in the stretchers with a screwdriver.

4. Remove the steel profile from the stretchers.

5. Unscrew the gliders in the legs. Unscrew the bushing in the legs with an Allen key.