

GASCOIN TRÈFLE STOOL // WOOD

MARCEL GASCOIN COLLECTION

Designed by Marcel Gascoïn

PRODUCT



COLORS



Black Stained Oak



Brown/Black Stained Oak



Oak



American Walnut (Oiled)

DESCRIPTION

The iconic Trèfle Stool was originally designed by Marcel Gascoïn in 1949. Placing function and order over embellishment, the robust and functionally versatile Trèfle Stool shows a great example of how Gascoïn facilitated interior design by creating elements easy to integrate. With a sleek and sturdy character, the Trèfle Stool combines a soft shaped split seat structure with strong, stable legs for an elegant yet resolute statement. Crafted in long-lasting, natural materials with attention to detail and true craftsmanship, the Trèfle Stool adds a warm but undemanding presence that allows for a versatile use in the contemporary home.

VERSION

RAL codes are indicative.

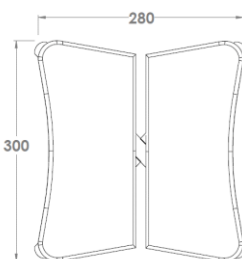
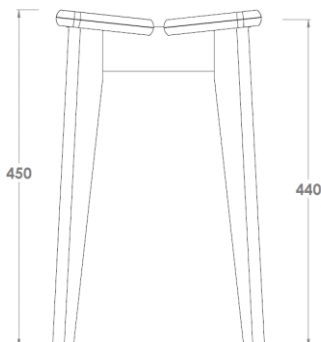
Oak
 Blackstained Oak // - / gloss 20
 Brown/Black Stained Oak // - / gloss 10
 Oiled American Walnut

CHAIR VERSION

Order item - look for part number in the pricelist.

The series consists of the following:

GASCOIN C-CHAIR
GASCOIN TRÈFLE STOOL



FACTS

MEASUREMENT - W x D x H mm

Sitting height: 440 mm
 Seat width: 280 mm
 Seat depth: 300 mm
 Chair width: 280 mm
 Chair depth: 300 mm
 Chair height: 450 mm

Seat thickness: 21 mm

WEIGHT ITEM

2,4 kg

PACKAGING TYPE

Cardboard box

PACKAGING MEASUREMENT - L x W x H CM

L:31,3 x W:29,6 x H:47,5 cm

WEIGHT PACKAGING - MATERIAL TYPE

- Cardboard box, quality 2902BC : 500 g
 - LD-EPE foam protector: 50 g

WEIGHT PACKAGING - TOTAL

5,52 kg

NUMBER OF PARCELS

1 pcs.

ACCESSORIES

CLEANING AND MAINTENANCE

- For dusting and light cleaning of the wooden surface and frame use a soft, dry cloth. For further cleaning, use a soft cloth that is firmly wrung in clean water for gently wiping the surface, and then immediately use a dry cloth to wipe the surface again. If more thorough cleaning is necessary, use a mild detergent or washing-up liquid dissolved in water on a firmly wrung cloth. Afterwards, repeat the process with clean water as described above. Polish with a soft cloth after wiping. Do not use materials for maintenance that:

- Contain abrasive agents.
- Are basic, acidiferous or organic.

For the best maintenance of the product, protect it against sunlight and heat, and try to keep it away from moisture, grease and other dirt. Furthermore, protect the surfaces against sharp objects and other that might scratch.

ENVIRONMENT

Parts can be separated and sorted for recycling.

Disposal of plastic type PP may be done with incineration of waste.

TESTS

CERTIFICATION AND LABELS
