

PRODUCT



COLORS FRAME

// Polished Aluminium



// Black



// White



Fully upholstered



Unupholstered



Seat upholstered



Front upholstered



DESCRIPTION

The BEETLE Chair Collection is a chair series fully upholstered in laminated moulded veneer with seat and back in 2 separate parts. The 2 parts are joined together with a steel fitting milled into the 2 shells. The shells are 10 mm thick. The chair is fully upholstered in fabric or leather. Or unupholstered // seat/front upholstered PP-plastic seat

VERSION - FULLY UPHOLSTERED

RAL codes are indicative.

- Fully upholstered in fabric/leather / Black painted base // - / RAL 9005, gloss level 3-5
- Fully upholstered in fabric/leather / White painted base // - / RAL 9010, gloss level 30
- Fully upholstered in fabric/leather / Polished aluminium base with black painted column

VERSION - PLASTIC SHELL + FRONT/SEAT UPHOLSTERY

RAL codes are indicative.

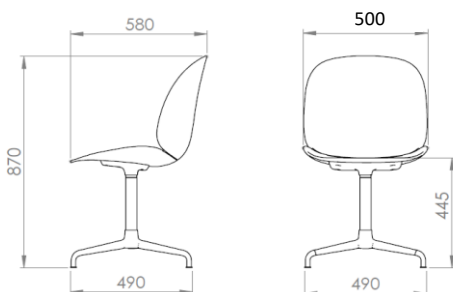
- Plastic shell in Dark pink - unupholstered or seat/front upholstered in fabric/leather // RAL 020 20 20
- Plastic shell in Green - unupholstered or seat/front upholstered in fabric/leather // RAL 180 20 15
- Plastic shell in Black - unupholstered or seat/front upholstered in fabric/leather // RAL 9005
- Plastic shell in Blue grey - unupholstered or seat/front upholstered in fabric/leather // PAN 7545C
- Plastic shell in New beige - unupholstered or seat/front upholstered in fabric/leather // RAL 075 60 30 D2.15.55
- Plastic shell in White - unupholstered or seat/front upholstered in fabric/leather // RAL 9010
- Base in Black / White / Polished aluminium // RAL 9005 gloss lvl. 3-5 / RAL 9010 gloss lvl. 30 / -

CHAIR VERSION

Order item - look for part number in the pricelist.

The series consists of the following:

- BEETLE CHAIR - Steel base with conical legs
- BEETLE CASTER CHAIR - Steel base with castors
- BEETLE BAR CHAIR 75CM - Steel base with conical legs
- BEETLE COUNTER CHAIR 65CM - Steel base with conical legs
- BEETLE OTTOMAN - Steel base with conical legs
- BEETLE BAR STOOL 75 CM - Steel base with conical legs
- BEETLE COUNTER STOOL 65 CM - Steel base with conical legs
- BEETLE DINING STOOL 45 CM - Steel base with conical legs
- BEETLE SOFA - Steel base with conical legs



FACTS

MEASUREMENT - L x W x H mm

- Sitting height: 445 mm
- Seat width: 490 mm
- Seat depth: 405 mm
- Seat height: 460 mm
- Back height: 430 mm
- Chair width: 500 mm
- Chair depth: 580 mm (550mm for plastic seat)
- Chair height: 870 mm
- Shell thickness: 10 mm
- Frame thickness: Casted Ø15-50
- Front upholstered: 20 mm

WEIGHT ITEM

- Fully Upholstered: 10,20 kg
- Unupholstered: 7,40 kg
- Seat upholstered: 8,50 kg
- Front upholstered: 9,70 kg

PACKAGING TYPE

Cardboard box

PACKAGING MEASUREMENT - L x W x H CM

L:59 x W:63 x H:92 cm

WEIGHT PACKAGING - MATERIAL TYPE

- Delivery note: 5 g
- Cardboard box, FEFCO quality EB85BB: 3600 g
- Polybag PE: 200 g
- LD-EPE foam protector: 100 g
- Strapping: 10 g

WEIGHT TOTAL: Upholstered // Un-upholstered // Seat upholstered // Front upholstered
14,1 kg // 11,3 kg // 12,4 kg // 13,6 kg

NUMBER OF PARCELS

1 pcs.

UPHOLSTERING - W X L

- Chair and piping same fabric: 140 cm x 1,54 m
- Chair fabric: 140 cm x 1,33 m
- Fabric piping: 140 cm x 0,21 m
- Chair leather: 2,88 m²
- Leather piping: 0,26 m²
- Seat (1pcs): 140 cm x 0,64 m
- Seat (2+pcs): 140 cm x 0,36 m
- Seat leather: 0,67 m²
- Front (1pcs): 140 cm x 0,71 m
- Front (2+pcs): 140 cm x 0,62 m
- Front leather: 1,39 m²

- HR5050, 190 N, 50 kg/m³, 20 mm
- HR3010, 45 N, 30 kg/m³, 15 mm
- HR3737, 140 N, 36 kg/m³, 5 mm

Designed by GamFratesi

- PLASTIC GLIDES ARE STANDARD.
- FELT GLIDES ON REQUEST.

CLEANING AND MAINTENANCE

For cleaning the upholstered surface, first try to brush off the dirt gently. If this is not enough then

For dusting and light cleaning of the frame use a soft, dry cloth.

ENVIRONMENT

Parts can be separated and sorted for recycling.

Disposal of plastic type PP may be done with incineration of waste.

TESTS

Foam is fire retardant according to California Technical Bulletin 117.
Foam according to BS 5852, Crip 5, is available on request

Chair fulfils the requirements in EN 1022:2005 and EN 16139:2013. Loading according to Test severity L1.

CERTIFICATION AND LABELS

-

PRODUCT



COLORS FRAME

// Polished Aluminium



// Black

// White



Fully upholstered

Unupholstered



Seat upholstered

Front upholstered



DESCRIPTION

The BEETLE Chair Collection is a chair series fully upholstered in laminated moulded veneer with seat and back in 2 separate parts. The 2 parts are joined together with a steel fitting milled into the 2 shells. The shells are 10 mm thick. The chair is fully upholstered in fabric or leather. Or unupholstered // seat/front upholstered PP-plastic seat

VERSION - FULLY UPHOLSTERED

RAL codes are indicative.

- Fully upholstered in fabric/leather / Black painted base // - / RAL 9005, gloss level 3-5
- Fully upholstered in fabric/leather / White painted base // - / RAL 9010, gloss level 30
- Fully upholstered in fabric/leather / Polished aluminium base with black painted column

VERSION - PLASTIC SHELL + FRONT/SEAT UPHOLSTERY

RAL codes are indicative.

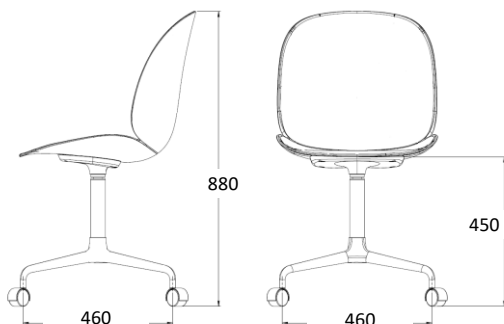
- Plastic shell in Dark pink - unupholstered or seat/front upholstered in fabric/leather // RAL 020 20 20
- Plastic shell in Green - unupholstered or seat/front upholstered in fabric/leather // RAL 180 20 15
- Plastic shell in Black - unupholstered or seat/front upholstered in fabric/leather // RAL 9005
- Plastic shell in Blue grey - unupholstered or seat/front upholstered in fabric/leather // PAN 7545C
- Plastic shell in New beige - unupholstered or seat/front upholstered in fabric/leather // RAL 075 60 30 D2.15.55
- Plastic shell in White - unupholstered or seat/front upholstered in fabric/leather // RAL 9010
 - Base in Black / White / Polished aluminium // RAL 9005 gloss lvl. 3-5 / RAL 9010 gloss lvl. 30 / -

CHAIR VERSION

Order item - look for part number in the pricelist.

The series consists of the following:

- BEETLE CHAIR - Steel base with conical legs**
- BEETLE CASTER CHAIR - Steel base with castors**
- BEETLE BAR CHAIR 75CM - Steel base with conical legs**
- BEETLE COUNTER CHAIR 65CM - Steel base with conical legs**
- BEETLE OTTOMAN - Steel base with conical legs**
- BEETLE BAR STOOL 75 CM - Steel base with conical legs**
- BEETLE COUNTER STOOL 65 CM - Steel base with conical legs**
- BEETLE DINING STOOL 45 CM - Steel base with conical legs**
- BEETLE SOFA - Steel base with conical legs**



FACTS

MEASUREMENT - L x W x H mm

- Sitting height: 450 mm
- Seat width: 490 mm
- Seat depth: 405 mm
- Seat height: 460 mm
- Back height: 430 mm
- Chair width: 500 mm
- Chair depth: 580 mm (550mm for plastic seat)
- Chair height: 880 mm
- Shell thickness: 10 mm
- Frame thickness: Casted Ø15-50
- Front upholstered: 20 mm

WEIGHT ITEM

- Fully Upholstered: 10,35 kg
- Unupholstered: 7,55 kg
- Seat upholstered: 8,65 kg
- Front upholstered: 9,85 kg

PACKAGING TYPE

Cardboard box

PACKAGING MEASUREMENT - L x W x H CM

L:59 x W:63 x H:92 cm

WEIGHT PACKAGING - MATERIAL TYPE

- Delivery note: 5 g
- Cardboard box, FEFCO quality EB85BB: 3600 g
- Polybag PE: 200 g
- LD-EPE foam protector: 100 g
- Strapping: 10 g

WEIGHT TOTAL: Upholstered // Un-upholstered // Seat upholstered // Front upholstered
14,25 kg // 11,45 kg // 12,55 kg // 13,75 kg

NUMBER OF PARCELS

1 pcs.

UPHOLSTERING - W X L

- Chair and piping same fabric: 140 cm x 1,54 m
- Chair fabric: 140 cm x 1,33 m
- Fabric piping: 140 cm x 0,21 m
- Chair leather: 2,88 m²
- Leather piping: 0,26 m²
- Seat (1pcs): 140 cm x 0,64 m
- Seat (2+pcs): 140 cm x 0,36 m
- Seat leather: 0,67 m²
- Front (1pcs): 140 cm x 0,71 m
- Front (2+pcs): 140 cm x 0,62 m
- Front leather: 1,39 m²

- HR5050, 190 N, 50 kg/m³, 20 mm
- HR3010, 45 N, 30 kg/m³, 15 mm
- HR3737, 140 N, 36 kg/m³, 5 mm

CLEANING AND MAINTENANCE

For cleaning the upholstered surface, first try to brush off the dirt gently. If this is not enough then

For dusting and light cleaning of the frame use a soft, dry cloth.

ENVIRONMENT

Parts can be separated and sorted for recycling.

Disposal of plastic type PP may be done with incineration of waste.

TESTS

Foam is fire retardant according to California Technical Bulletin 117.

Foam according to BS 5852, Crip 5, is available on request

Chair fulfils the requirements in EN 1022:2005 and EN 16139:2013. Loading according to Test severity L1.

CERTIFICATION AND LABELS

-