

Designed by GamFratesi

## PRODUCT



## COLORS



Pictures coming soon

Blackstained Beech

Smoked Oak finish

Pictures coming soon

Pictures coming soon

Oak

Walnut



Fully upholstered

## DESCRIPTION

Continuing the success of the Beetle Collection, GUBI is adding a wood base to the Beetle Lounge Chair in oak, smoked oak finish and black stained beech.

The Beetle Lounge Chair carries strong references to GamFratesi's inspirational source; the four-legged insect, the beetle. The design of the Beetle Lounge Chair reinterprets the characteristic elements of the beetles' sections: shape, shells, sutures, rigid outside and soft inside.

Adding a wooden base in oak, smoked oak finish and black stained beech gives the Beetle Lounge Chair an authentic look that adds warmth to any interior. With an eye for details, GamFratesi has found the perfect shape where every line and curve have been designed to give the perfect balance to the chair. The new base enables the Beetle Lounge Chair to be featured in new, elegant settings where wood will work as the preferred material.

## VERSION - FULLPHOLSTERED

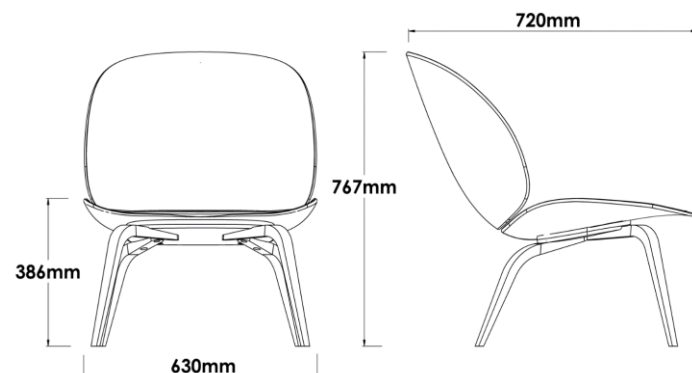
RAL codes are indicative.

- Fully upholstered in fabric/leather
- Fully upholstered in fabric/leather

Base: Blackstained beech / Oak / Smoked Oak // gloss level 20 / gloss level 20 / gloss level 5

## CHAIR VERSION

Order item - look for part number in the pricelist.



## FACTS

### MEASUREMENT - L x W x H mm

Sitting height: 360 mm  
 Seat width: 630 mm  
 Seat depth: 510 mm  
 Seat height: 400 mm  
 Back height: 520 mm  
 Chair width: 630 mm  
 Chair depth: 720 mm  
 Chair height: 767 mm  
 Shell thickness: 10 mm  
 Front upholstered: 40 mm

### WEIGHT ITEM

12 kg

### PACKAGING TYPE

Cardboard box

### PACKAGING MEASUREMENT - L x W x H CM

L:64 x W:79 x H:84 cm

### WEIGHT PACKAGING - MATERIAL TYPE

- Delivery note: 5 g
- Cardboard box, FEFCO quality EB85BB: 3000 g
- Polybag PE: 200 g
- LD-EPE foam protector: 100 g
- Strapping: 10 g

### WEIGHT - TOTAL

15,6 kg

### NUMBER OF PARCELS

1 pcs.

### UPHOLSTERING - W X L

- Chair and piping same fabric: 140 cm x 3,17 m
- Chair fabric: 140 cm x 2,50 m
- Fabric piping: 140cm x 1,79m
- Chair leather: 4,94 m<sup>2</sup>
- Leather piping: 0,46 m<sup>2</sup>
- HR5050, 190 N, 50 kg/m<sup>3</sup>, 30 mm
- HR3010, 45 N, 30 kg/m<sup>3</sup>, 25 mm
- HR3737, 140 N, 36 kg/m<sup>3</sup>, 5 mm

Designed by GamFratesi

## ACCESSORIES

---

- PLASTIC GLIDES ARE STANDARD.

## ENVIRONMENT

---

Parts can be separated and sorted for recycling.

Disposal of plastic type PP may be done with incineration of waste.

## TESTS

---

Foam is fire retardant according to California Technical Bulletin 117.

Foam according to BS 5852, Crip 5, is available on request

Chair fulfils the requirements in EN 1022:2005 and EN 16139:2013. Loading according to Test severity L1.

## CERTIFICATION AND LABELS

---

-

## CLEANING AND MAINTENANCE

---

For cleaning the upholstered surface, first try to brush off the dirt gently. If this is not enough then vacuum the surface.

If further cleaning of the upholstery is needed, a stain remover is recommended. The cleaning has to be gentle and must always be tested on the most invisible area of the surface before the actual cleaning. Avoid blotches by gentle, circular rubbing towards the stain.

To avoid stains, quickly remove the dirt with a piece of absorbing household wipe and clean with water and colourless washing-up liquid.

Do not use the following products for the padding:

- Undiluted cleaning liquids.
- Bleach.
- Ammoniac.
- Soap for hard surfaces.

For dusting and light cleaning of the frame use a soft, dry cloth.

For further cleaning of the frame, use a soft cloth that is firmly wrung in clean water for gently wiping the surface, and then immediately use a dry cloth to wipe the surface again.

Do not use materials for maintenance that:

- Contain abrasive agents.
- Are basic, acidiferous or organic.

For the best maintenance of the product, protect it against sunlight and heat, and try to keep it away from moisture, grease and other dirt.

Furthermore, protect the surfaces against sharp objects and other that might scratch.