
Daumiller Dining Armchair

Designed by Rainer Daumiller - 1977



ITEM NUMBER

48060 (10113065)

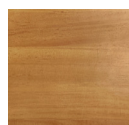
DESCRIPTION

Solid in construction, simple in form, and sculptural in expression, the Daumiller Armchair's straightforward materiality and robust composition pay tribute to Rainer Daumiller's lifelong affinity with natural materials and forms. Constructed in certified solid Pine just as the original pieces produced by Hirtshals Sawmill in 1977 were, the seat and backrest are ergonomically adapted to the contours of the body, which only adds to the bold, retro expression of this Danish design classic.

Materials & Finishes

FINISH

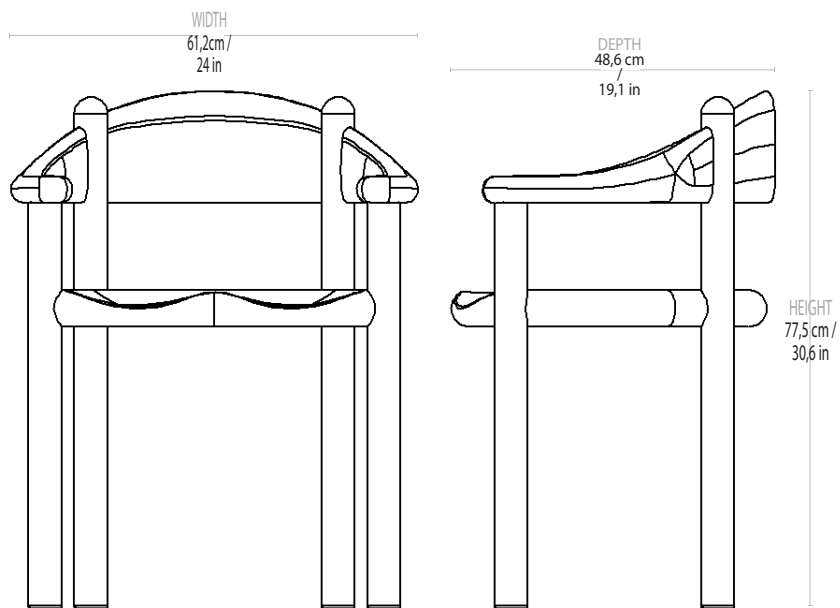
Golden Pine Lacquer



MATERIALS

FSC®Certified MIX 70% Radiata Pine

Dimensions



DEPTH	48.6cm / 19.1in
HEIGHT	77.7cm / 30.6in
SEAT WIDTH	46cm / 18.1in
SEAT DEPTH	44.7cm / 17.6in
SEAT HEIGHT	45.2cm / 17.8in
BACKREST HEIGHT	77.7cm / 30.6in
ARMREST HEIGHT	64.9cm / 25.5in

Weight

TOTAL WEIGHT	7.5kg / 16.5lbs
--------------	-----------------

Packaging

NUMBER OF PARCELS	1
PACKAGING LENGTH	65.5cm / 25.7in
PACKAGING WIDTH	54.5cm / 21.4in
PACKAGING HEIGHT	84cm / 33in
PACKAGING WEIGHT	3.5kg / 7.7lbs
GROSS WEIGHT	11kg / 24.2lbs

Test & Certifications

EN16139 L2

Passed

FSC® C176589

FSC® Certified MIX 70%

Glides

FELT GLIDES

Included as standard