

## PRODUCT



## COLORS



// Sand



// Black



// Grey



// Terracotta



// Taube

## DESCRIPTION

Collar Lamp is the German designer Sebastian Herkner's first product for GUBI. Collar Lamp is a series of pendent lights that combines mouth blown glass and an aluminum "collar", used as a reflector, which gives it an iconic strong character. The lamp looks great as an individual lamp but by mixing colours and sizes it gives possibilities for strong personal and playful installations.

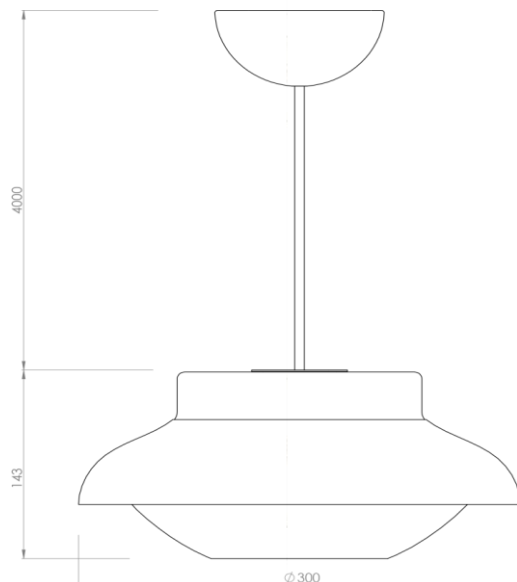
## VERSION - COLLAR Ø300

Colour codes are indicative.

- Fabric cable is black // Canopy is black lacquered // Gloss level Shade 2 / Glass top 10
- Sand / Shade NCS S 1502-Y / Glass top NCS S 3005-Y20R / White inside RAL 9003
- Black / Shade NCS S 8500-N / Glass top NCS S 9000-N / White inside RAL 9003
- Grey / Shade NCS S 2005-B80G / Glass top NCS S 5005-B80G / White inside RAL 9003
- Terracotta / Ghade NCS S 4030-Y70R / Glass top NCS S 7020-Y70R / White inside RAL 9003
- Taube / Shade NCS S 5502-Y / Glass top NCS S 7502-Y / White inside RAL 9003

## VERSION

Order item - look for part number in the pricelist.



## FACTS

### MATERIAL

Shade: Wet lacquered steel  
 Glass: Mouthblown opal glass lacquered on top  
 Canopy: Powder coated aluminum

### MEASUREMENT - *L x W x H mm*

Lamp height: 5,6 inches  
 Shade diameter: dia 11,8 inches  
 Canopy diameter: dia 4,5 inches  
 Canopy high: 2,2 inches

Cable length, exposed: APP. 157 inches

### WEIGHT ITEM - *LAMP INCL. WIRE*

Approx. 6,2 lb

### PACKAGING TYPE

Cardboard box

### PACKAGING MEASUREMENT - *L x W x H cm*

L: 16,5 x W: 13,8 x H: 88,6 inches

### WEIGHT PACKAGING - *MATERIAL TYPE (recyclable)*

- LD-EPE foam: 0,5 lb
- EPE bag: 1 oz
- PE polybag: 0,035 oz
- Cardboard inside: -
- Cardboard outside, 5ply Corrugated: 1,5 lb

### WEIGHT INCL. PACKAGING - *TOTAL*

Approx. 8,2 lb

### NUMBER OF PARCELS

1 pcs.



## PRODUCT



## COLORS



// Sand



// Black



// Grey



// Terracotta



// Taube

## DESCRIPTION

Collar Lamp is the German designer Sebastian Herkner's first product for GUBI. Collar Lamp is a series of pendant lights that combines mouth blown glass and an aluminum "collar", used as a reflector, which gives it an iconic strong character. The lamp looks great as an individual lamp but by mixing colours and sizes it gives possibilities for strong personal and playful installations.

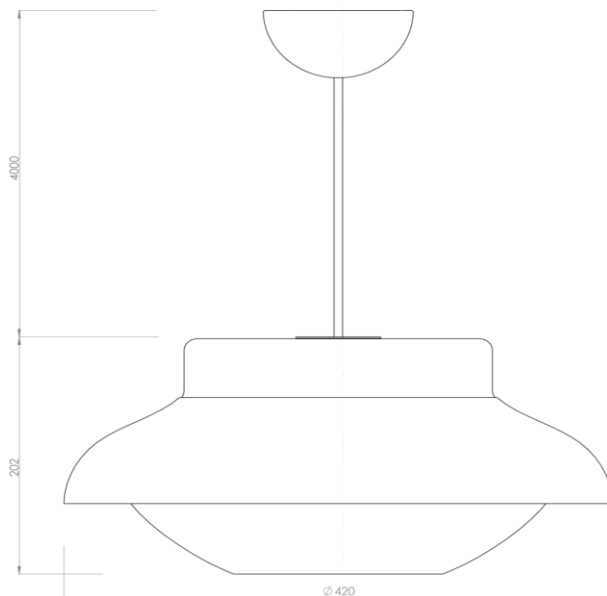
## VERSION - COLLAR Ø420

Colour codes are indicative.

- Fabric cable is black // Canopy is black lacquered // Gloss level Shade 2 / Glass top 10
- Sand / Shade NCS S 1502-Y / Glass top NCS S 3005-Y20R / White inside RAL 9003
- Black / Shade NCS S 8500-N / Glass top NCS S 9000-N / White inside RAL 9003
- Grey / Shade NCS S 2005-B80G / Glass top NCS S 5005-B80G / White inside RAL 9003
- Terracotta / Ghade NCS S 4030-Y70R / Glass top NCS S 7020-Y70R / White inside RAL 9003
- Taube / Shade NCS S 5502-Y / Glass top NCS S 7502-Y / White inside RAL 9003

## VERSION

Order item - look for part number in the pricelist.



## FACTS

### MATERIAL

Shade: Wet lacquered steel  
Glass: Mouthblown opal glass lacquered on top  
Canopy: Powder coated aluminum

### MEASUREMENT - *L x W x H*

Lamp height: 8 inches  
Shade diameter: dia. 16,5 inches  
Canopy diameter: dia. 4,5 inches  
Canopy height: 2,2 inches

Cable length, exposed: APP. 157 inches

### WEIGHT ITEM - *LAMP INCL. WIRE*

Approx. 9,5 lb

### PACKAGING TYPE

Cardboard box

### PACKAGING MEASUREMENT - *L x W x H*

L: 19,5 x W: 18,5 x H: 10,8 inches

### WEIGHT PACKAGING - *MATERIAL TYPE (recyclable)*

- LD-EPE foam: 1 lb
- EPE bag: 1,5 oz
- PE polybag: 0,035 oz
- Cardboard inside: -
- Cardboard outside, 5ply Corrugated: 2,4 lb

### WEIGHT INCL. PACKAGING - *TOTAL*

Approx. 13 lb

### NUMBER OF PARCELS

1 pcs.

Designed by Sebastian Herkner

ACCESSORIES

ENVIRONMENT

TESTS

CERTIFICATION AND LABELS

CE-CERTIFIED  
UL-CERTIFIED

SAFETY INSTRUCTIONS

If the cord or plug is damaged, unplug it from the socket with dry hands. Do not use the lamp until it is repaired by a qualified Electrician.

Instructions document no. 62-20-001-04

Bulb requirements:

- Socket: E26 base
- Bulb type: G16.5 or A15
- Recommended wattage: 60 W
- Max wattage: 60 W

\*Lightbulb not included

- US voltage: 120 V
- Frequency: 60 Hz
- Supply voltage: AC power ~
- Normally Closed: IP20



- Isolation class II / Double insulated



Luminaires accepted for mounting on a flammable base



Mark for Canada and the U.S.

**CARE INSTRUCTIONS**

• Always use proper maintenance  
Do not use any flammable or volatile cleaners.

**TROUBLESHOOTING**

If lamp does not light, turn off the power. Check the bulb for a broken filament. Replace bulb if necessary. Turn light on.  
If the lamp still does not light, please contact customer service at the following address:  
If the customer service center is closed, the lamp is damaged, it must be replaced by a qualified electrician in order to avoid a hazard.

**BULB REPLACEMENT**

Disconnect the power before replacing bulb.

**SAFETY INSTRUCTIONS**

SAFETY INSTRUCTIONS PERTAINING TO RISK OF FIRE, ELECTRIC SHOCK, OR PERSONAL INJURY!

**WARNING:** Lighted bulb gets HOT! Do not touch while on. CAUTION: Keep lamp away from curtains, bedding, towels, and any other flammable materials. Do not look directly at lighted bulb. Turn off, unplug and allow lamp to cool before replacing bulb, cleaning or other maintenance. Do not use in the bathroom or kitchen unless specifically labeled for such use.  
CAUTION: TO REDUCE THE RISK OF FIRE, USE ONLY TYPE A BULB, MAX. 60 WATT FOR COLLAR L. TYPE G16.5 BULB, MAX. 60 WATT FOR COLLAR P. USE 120V 60Hz AC ONLY.  
Do not exceed recommended wattage.

**CAUTION: IMPORTANT! LAMP MUST BE INSTALLED BY A QUALIFIED ELECTRICIAN!**

GUBI A/S  
FOR MORE INFORMATION  
GUBI.COM

62-20-001-04 Mounting instr. Collar Pendant US

**GUBI**

ASSEMBLY INSTRUCTIONS  
for  
COLLAR PENDANT  
008-013xx / 008-023xx

**SAFETY INSTRUCTIONS PERTAINING TO RISK OF FIRE, ELECTRIC SHOCK, OR PERSONAL INJURY!**

**WARNING:** Lighted bulb gets HOT! Do not touch while on.  
**CAUTION:** Keep lamp away from curtains, bedding, towels, and any other flammable materials. Do not look directly at lighted bulb. Turn off, unplug and allow lamp to cool before replacing bulb, cleaning or other maintenance. Do not use in the bathroom or kitchen unless specifically labeled for such use.  
**CAUTION: TO REDUCE THE RISK OF FIRE, USE ONLY TYPE A BULB, MAX. 60 WATT FOR COLLAR L. TYPE G16.5 BULB, MAX. 60 WATT FOR COLLAR P. USE 120V 60Hz AC ONLY.  
Do not exceed recommended wattage.**

**CAUTION: IMPORTANT! LAMP MUST BE INSTALLED BY A QUALIFIED ELECTRICIAN!**

Parts for mounting the lamp on the ceiling:

- A: Wrenuts x 3
- B: Washer
- C: Cable clamp
- D: Ceiling disc
- E: Screws x 2
- F: Cable, 3 pins
- G: Canopy
- G1: Grounding wire

**Step 1**  
Remove the protective piece.

**Step 2**

- 1 Find the desired length of cable and place cable clamp around cable.
- 2 Squeeze the two parts of the cable clamp around the cable with a tool and put it into the washer.

**Step 3**

- 3 Attach grounding wire to the ceiling disc with the screw.
- 4 Connect lamp wires to the supply wires. Be sure to connect all grounding wires (green) to the same wrenut.
- 5 Tuck wires carefully inside the junction box and fasten the ceiling disc to it with the screws.

**Step 4**

- 6 Place canopy on ceiling disc and twist approx. 5 - 20 degrees.
- 7 Place light bulb in lamp and turn the power on.

62-20-001-02 Collar Pendant mounting instr US