

# Jermain

CHAIR

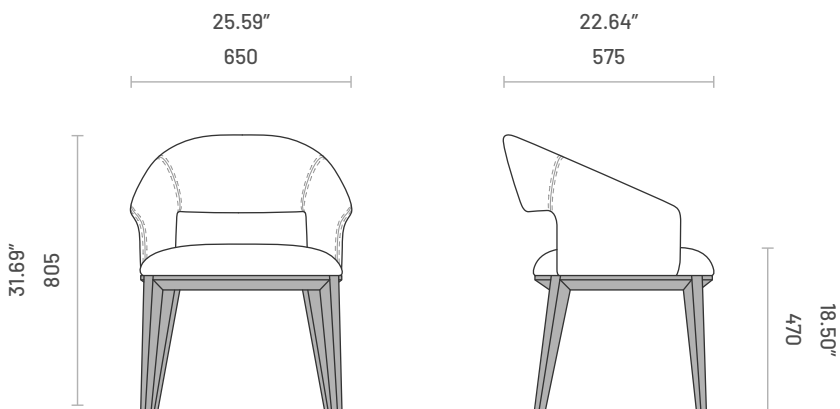
Jermain is the ultimate versatile chair. It's possible to customize the base into two distinct options: wooden or metallic. The wooden base presents four legs with an angular cut for an architectural design. The metallic option features a metallic four-star feet with a swivel system, perfect for office ambiance. Jermain stars a convex back that elongates to a discreet armrest with a slight open bend for extreme comfort. Also, an elegant opening on the back brings a touch of contemporary style.

This piece is an extraordinary and timeless design, the result of an elaborate manufacturing process.

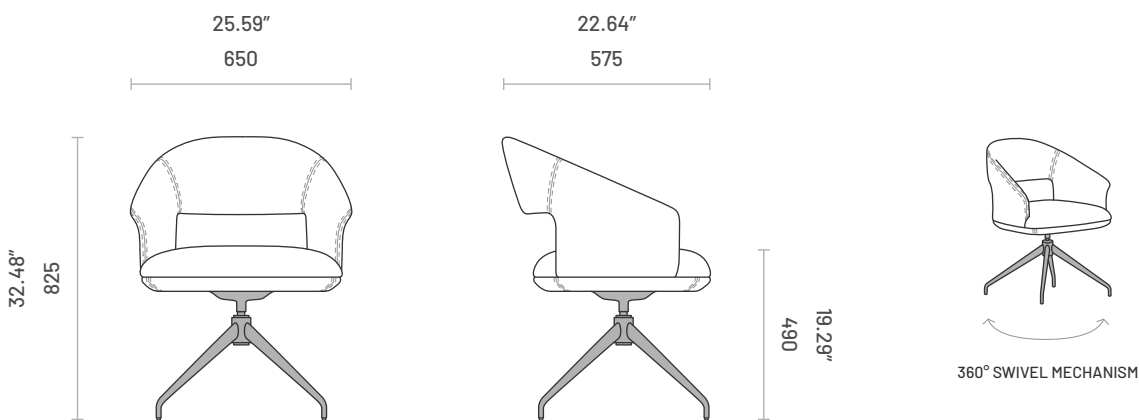


## Specifications

Dimensions (without Armrest)



Dimensions (with Armrest)



### Technical Information

**Frame**

Structure: Solid pine wood, plywood and MDF  
 Feet: Solid ash wood or steel

**Padding**

Seat: 23kg/m<sup>3</sup>, 40kg/m<sup>3</sup> polyurethane foam and 100gr polyester fiber  
 Backrest: 23kg/m<sup>3</sup>, 30kg/m<sup>3</sup>, 60kg/m<sup>3</sup> polyurethane foam

# Materials and Finishes





## Overview



## Available Finishes

	1	2	3
<b>Fabrics</b>			
Aldan	●	●	—
Arno	●	●	—
Astoria	●	●	—
Avalon	●	●	—
Bergen	●	●	—
Brampton	●	●	—
Clarence	●	●	—
Columbia	●	●	—
Devon	●	●	—
Galway	●	●	—
Helmand	●	●	—
Hudson	●	●	—
Osaka	●	●	—
Provence	●	●	—
<b>Synthetic Leathers</b>			
Rupert	●	●	—
<b>Natural Leathers</b>			
Albany	—	—	—
Aspen	●	●	—
Dover	●	●	—
<b>Wood Stains</b>			
Sand Ash	—	●	—
Stone Ash	—	●	—
Mocha Ash	—	●	—
Tabac Ash	—	●	—
Graphite Ash	—	●	—
<b>Lacquers</b>			
Bone	—	●	—
Taupe	—	●	—
Olive	—	●	—
Syrah	—	●	—
Ocean	—	●	—
Black	—	●	—
<b>Metal Feet</b>			
Silver Polished	—	—	●

## COM Fabric and Leather Requirements

Item	1	
Jermain Chair - Wood	<b>Fabric</b>  2.00 lm 6.56 ft	<b>Leather</b>  4.00 m2 43.20 ft2
Jermain Chair - Metal	<b>Fabric</b>  2.00 lm 6.56 ft	<b>Leather</b>  4.00 m2 43.20 ft2