

NUURA



MIIRA 1- Rock Grey/Optic

Design: Sofie Refer, 2018. US-model.

Miira 1 in mouth blown Optic Clear glass and Rock Grey finish. Incl. Ceiling plate.

The significant details of Miira are the fine curves and thin neck that gives a graceful appearance.

The Miira Collection features mouth blown glass globes in both Opal White and Optic Clear. The Optic glass has slight variances due to the handmade process, which makes each piece unique.

Miira collection is designed with the chandelier as a centre and expands into a complete series of lights, manufactured in the highest quality.

Miira 1 pendant is suitable over the dining table, smaller side tables and kitchen areas.

Miira collection:

The Miira collection include the following products:

Miira 1: Rock Grey/Brass - Opal/Optic clear

Miira 1 Large: Rock Grey/Brass - Opal

Miira 3 Large: Rock Grey - Opal

Miira 4: Rock Grey/Brass - Opal/Optic Clear

Miira 6: Rock Grey - Opal/Optic Clear

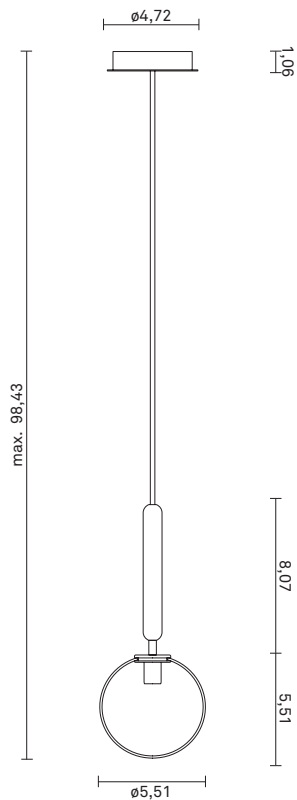
Miira 6 Large: Rock Grey - Opal/Optic Clear

Miira 13: Rock Grey - Opal/Optic Clear

Miira 13 Large: Rock Grey - Opal

Miira Wall: Rock Grey - Opal/Optic Clear

Miira Table: Rock Grey - Opal/Optic Clear



TECHNICAL INFO

Product no.: 95310223

Type: Suspension - Indoor

Colour:

Glass: Optic Clear

Metal: Rock Grey

Cable: Black

Materials:

Powder coated metal

Mouth-blown glass

Fabric covered cable

Dimensions:

ø5,51in x 13,58in

Ceiling plate: ø4,72in x 1,97in

Fabric cable - Length: 98,43in

Product weight:

Product incl. ceiling plate: 1088 g

Ceiling plate: 265 g

Packaging:

Dimensions: L: 16,69in x W: 6,73in x H: 6,69in

Weight: 458 g

Total weight incl. product: 1546 g

Number of parcels: 1

Material: Brown cardboard.

Packaging - weight - material:

Cardboard outside: 190 g

Cardboard inside: 237 g

Bubble wrap: 6 g

Plastic bag: 25 g

Cleaning:

Use a soft dry cloth to clean the product.

Do not use household cleaners.

Certifications and labels:

CE - CE-certified

IP20 - IP20

□ - Class II

This fixture is fabricated with UL rated components, but the fixture itself is not UL listed. This option may be available for an additional fee.

Light source:

Socket: G9

Max wattage: 7W LED (Bulb not included)

Voltage (V): 120V

Recommended light source:

Equivalent to Illumination G9 (344-07), 2.3W

Dimmability:

Can be fitted with an aligned dimmer.

DALI compatible

Included ceiling plate:



Safety instructions

Important! Before commencing installation work disconnect the main cable from the power supply - remove fuse or turn switch to "OFF"!

1. Installation should be carried out in accordance with the local safety regulations.
2. In order to prevent damage, please check walls for cables before drilling holes.
3. Please ensure that all electrical connections (even preassembled lamps) are screwed tightly or are fully inserted as good contact is essential for a long life-span at high currents. Please check for tight connections after changing or adjusting lamps. Screwed connections must be tightened after 20 minutes.
4. Please do not place objects on your system (e.g. for decorative purposes) if they were not delivered with the system.
5. The lamps get very hot when in use. Please allow lamps to cool down before touching.
6. Do not change lamps or spots when switched on.
7. System should not be enlarged with additional lamps.
8. We reserve the right to make technical alterations.

Please keep these instructions.

Fitting: G9

Use of a dimmer is highly recommended
(Must be compatible with type of bulb.)

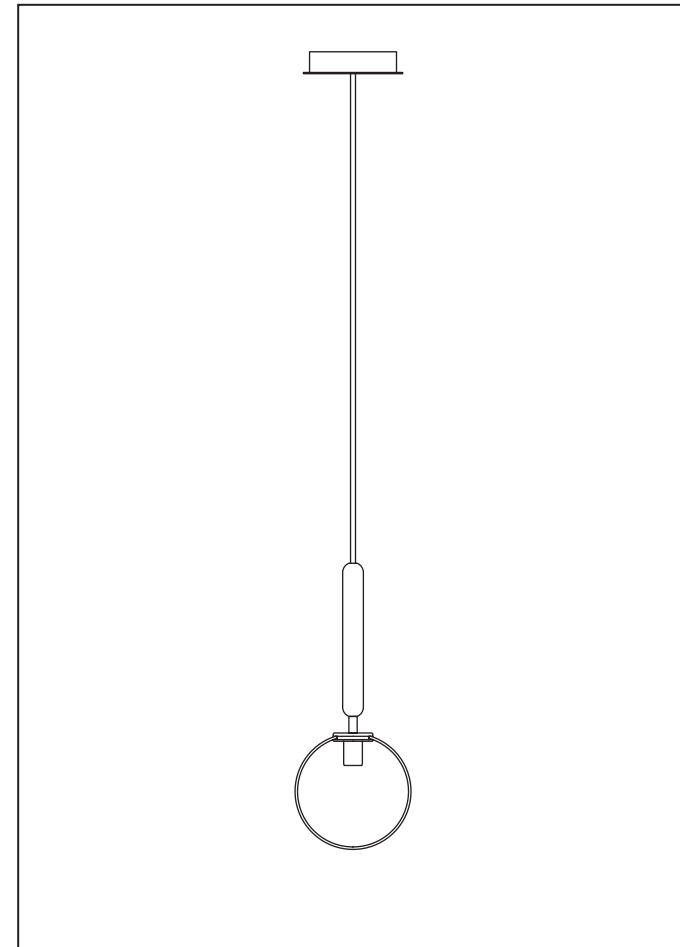
The glass used for this lamp is hand-blown.

Only 1st. quality has been chosen.

Air bubbles and variations in thickness and colour is normal.

Miira 1

Assembly Instructions



NUURA

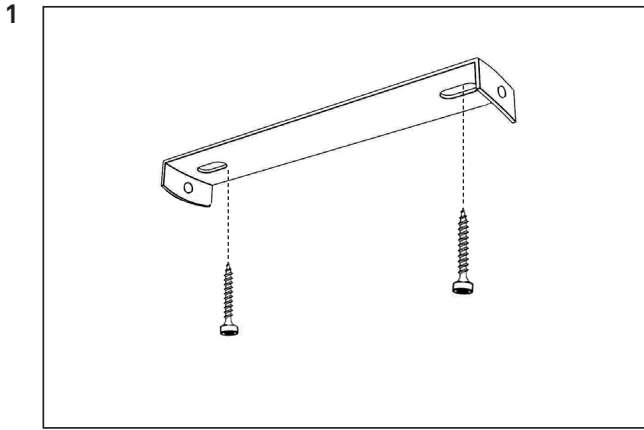
www.nuura.com
info@nuura.com

© 2018 All rights reserved



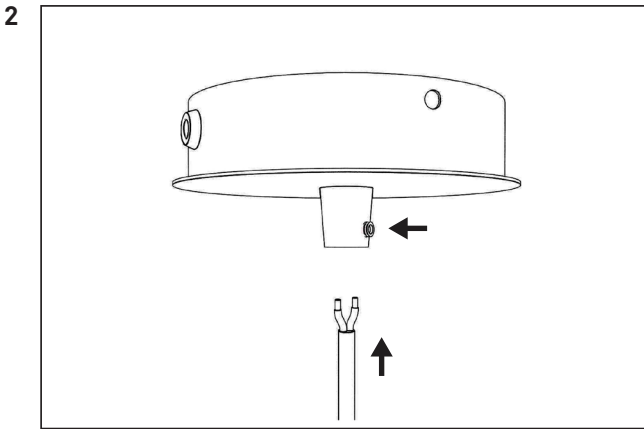
NUURA

© 2018 All rights reserved



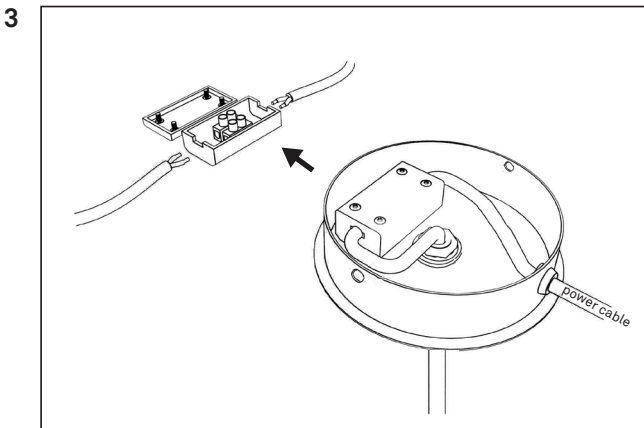
Mount the bracket to the ceiling with screws.

Please make sure it is fixated properly.



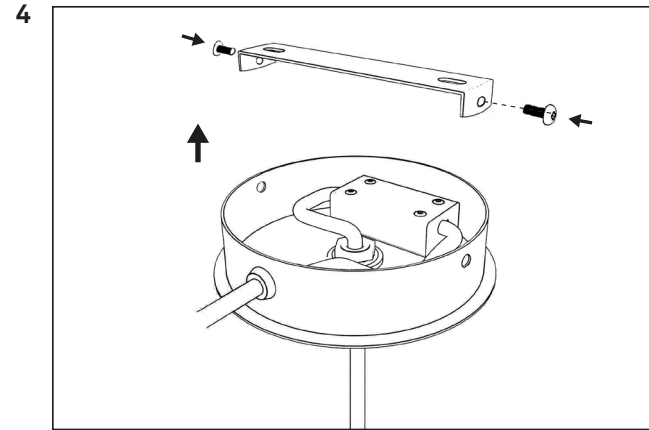
Lead the fabric cable in through the cable relief at the bottom of the ceiling plate.

Be sure to tighten the screw carefully and to leave enough of the cable inside the ceiling plate so the end can reach the cable connector.

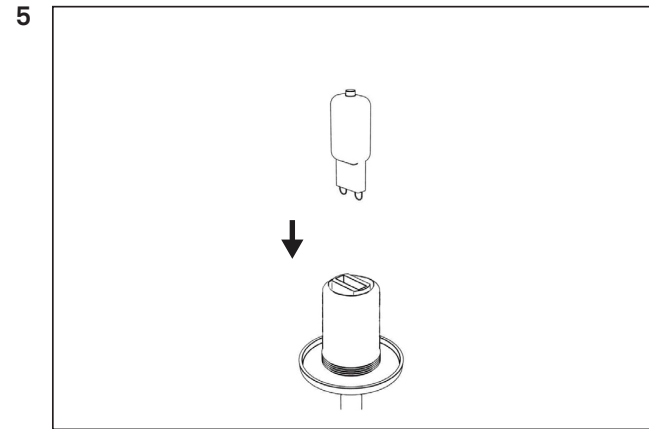


1. Lead the fabric cable into the cable connector.

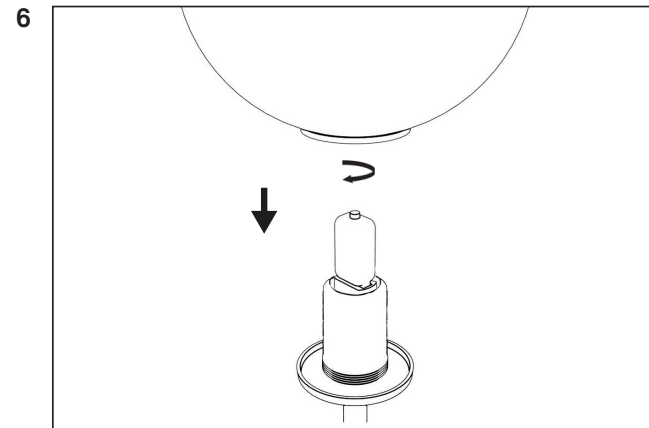
2. Install the power cable by leading it through the side of the ceiling plate and into the cable connector.



Attach the ceiling plate to the bracket with the screws.



Place a G9 light bulb in the socket.



Take the glass globe and carefully place it over the light bulb. Fixate it by turning the glass globe clockwise.