

# NUURA



## LIILA 1 MEDIUM WALL/CEILING - Optic

Design: Sofie Refer, 2018. US-model.

**Liila 1 Wall/Ceiling in mouth blown Optic Clear glass and Light Silver finish.**

Liila Collection has a Nordic simplistic yet sensuous look due to the fine reflections in the glass and metal. The mouth blown glass is elegantly framed by the metal disc in soft metallic finish.

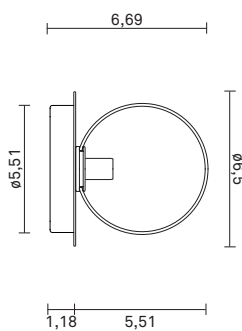
While the version in Optic Clear glass creates sparkeling reflections, the version in Opal White glass completes the minimalistic Nordic look.

**Liila 1 Wall/Ceiling** works perfectly single or grouped in a decorative formation. Liila 1 also suits smaller rooms, the bathroom and the entrance hall.

### Liila collection:

The Liila collection include the following products:

- Liila 1 Medium Wall/Ceiling - Brass Optic/Opal
- Liila 1 Medium Wall/Ceiling - Silver Optic/ Opal
- Liila 1 Large Wall/Ceiling - Brass Optic/Opal
- Liila 1 Large Wall/Ceiling - Silver Optic / Opal
- Liila 12 Wall/Ceiling -Brass Optic/ Opal



## TECHNICAL INFO

**Product no.:** 94480323

**Type:** Wall Light - Indoor

**Colour:**

Glass: Optic Clear

Metal: Light Silver

**Materials:**

Powder coated metal

Mouth-blown glass

**Dimensions:**

ø6,5in x 6,69in

**Product weight:**

Product: 999 g

**Packaging:**

Dimensions: L: 13,31in x W: 7,64in x H: 6,89in

Weight: 475 g

Total weight incl. product: 1474 g

Number of parcels: 1

Material: Brown cardboard.

**Packaging - weight - material:**

Cardboard outside: 187 g

Cardboard inside: 274 g

Bubble wrap: 6 g

Plastic bag: 8 g

**Cleaning:**

Use a soft dry cloth to clean the product.

Do not use household cleaners.

**Certifications and labels:**

CE - CE-certified

IP20 - IP20

□ - Class II

This fixture is fabricated with UL rated components, but the fixture itself is not UL listed. This option may be available for an additional fee.

**Light source:**

Socket: G9

Max wattage: 7W LED (Bulb not included)

Voltage (V): 120V

**Recommended light source:**

Equivalent to Illumination G9 (344-07), 2.3W

**Dimmability:**

Can be fitted with an aligned dimmer.

**DALI compatible**

## Safety instructions

Important! Before commencing installation work disconnect the main cable from the power supply - remove fuse or turn switch to "OFF"!

1. Installation should be carried out in accordance with the local safety regulations.
2. In order to prevent damage, please check walls for cables before drilling holes.
3. Please ensure that all electrical connections (even preassembled lamps) are screwed tightly or are fully inserted as good contact is essential for a long life-span at high currents. Please check for tight connections after changing or adjusting lamps. Screwed connections must be tightened after 20 minutes.
4. Please do not place objects on your system (e.g. for decorative purposes) if they were not delivered with the system.
5. The lamps get very hot when in use. Please allow lamps to cool down before touching.
6. Do not change lamps or spots when switched on.
7. System should not be enlarged with additional lamps.
8. We reserve the right to make technical alterations.

Please keep these instructions.

Fitting: G9

Use of a dimmer is highly recommended  
(Must be compatible with type of bulb.)

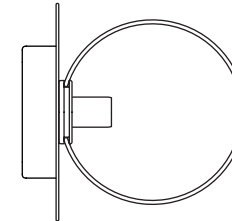
The glass used for this lamp is hand-blown.

Only 1st. quality has been chosen.

Air bubbles and variations in thickness and colour is normal.

# Liila 1 Wall/Ceiling

## Assembly Instructions



NUURA

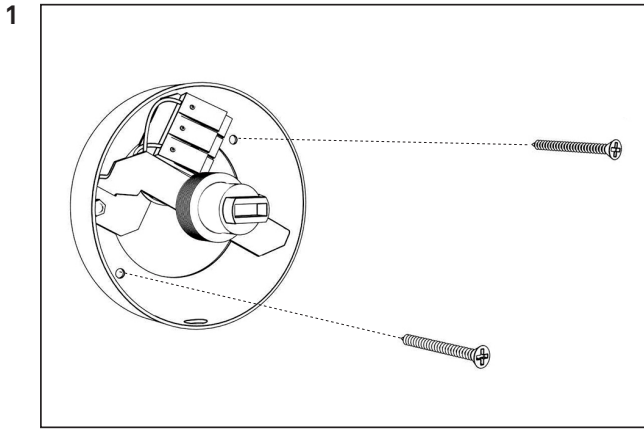
www.nuura.com  
info@nuura.com

© 2018 All rights reserved



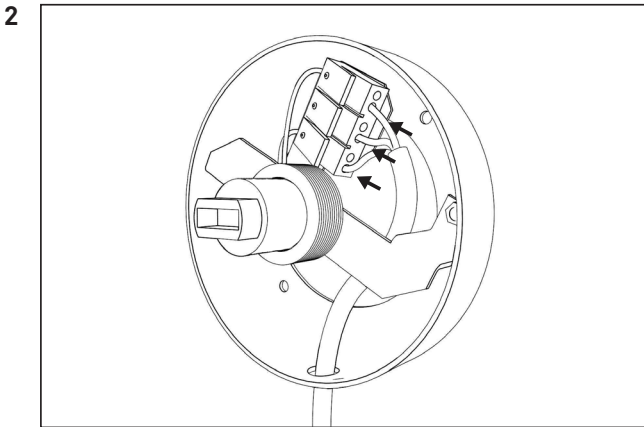
NUURA

© 2018 All rights reserved



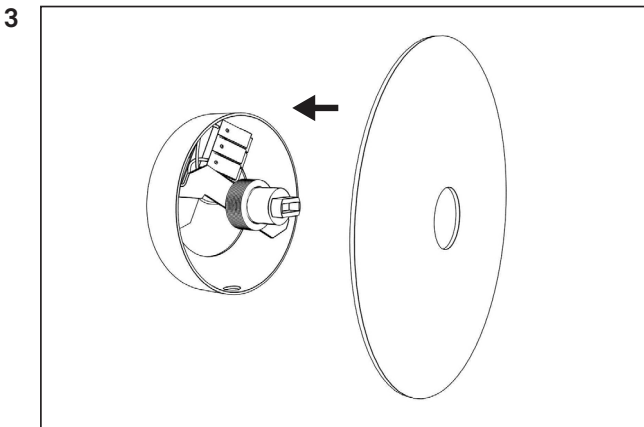
Mount the back part of the lamp to the wall or ceiling with screws.

Please make sure it is fixated properly.

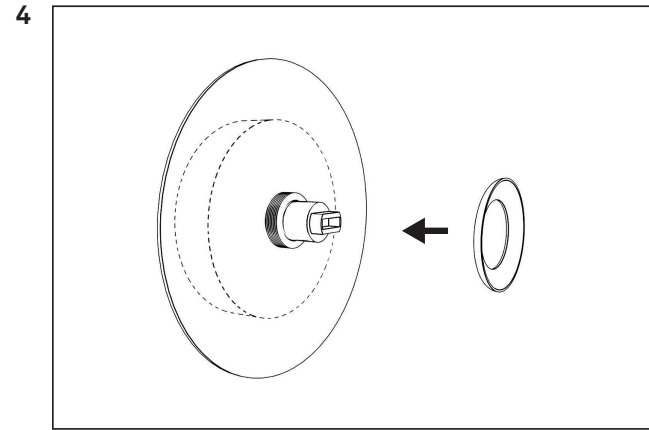


Lead the power cable in through either the bottom or the back of the ceiling plate

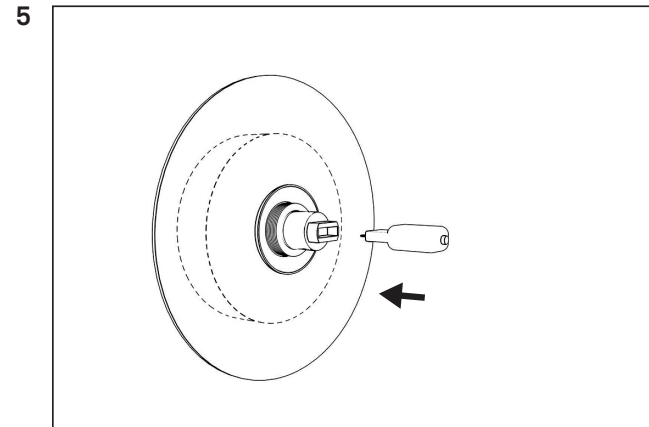
Connect the wire-ends to the cable connector. Match the brown wire with "L" the blue wire with "N" and the green/yellow wire with the grounding symbol



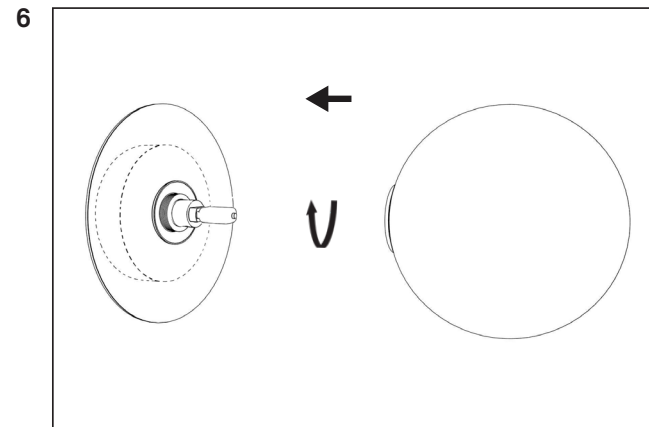
Carefully place the cover plate over the socket.



Carefully place the small metal plate over the socket.



Place a G9 light bulb in the socket.



Take the glass globe and carefully place it over the light bulb. Fixate it by turning the glass globe clockwise.