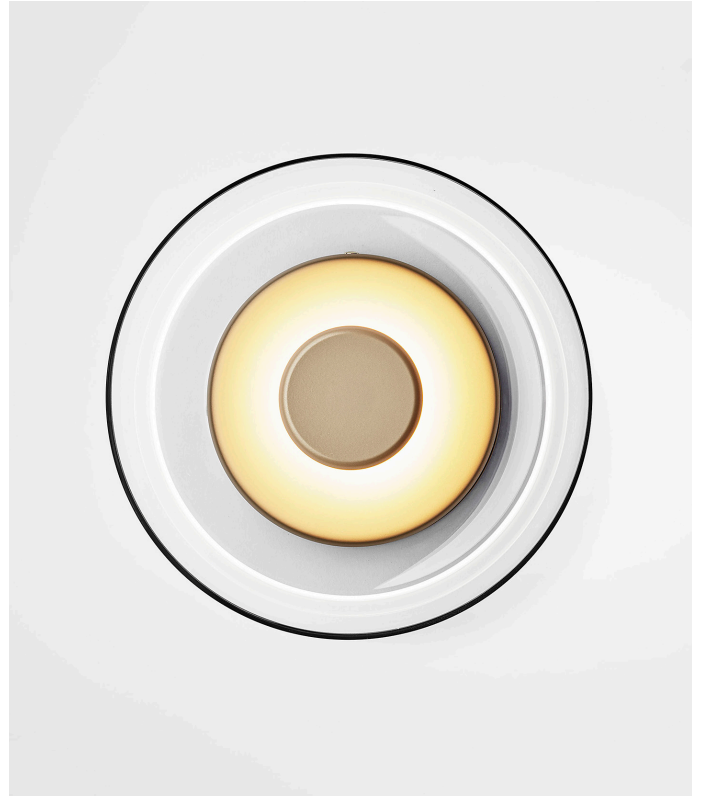


# NUURA



## BLOSSI WALL/CEILING

Design: Sofie Refer, 2018. US-model.

**Blossi Wall/Ceiling in mouth blown Clear glass and Nordic Gold finish.**

Inspired by the golden light during the Nordic fall, Blossi Collection is designed to give an indirect and soft light.

A special recessed LED provides a soft light reflected in the metallic finish of the shade. Blossi Collection has beautifully rounded glass lampshades that complete the soft appearance.

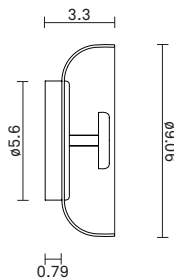
The Blossi collection has a wide variety of uses and is suitable for both domestic and public spaces.

**Blossi Wall/Ceiling** Single or positioned in a row the glowing disc lends captivating appeal. Besides domestically the piece can be found in hotels, restaurants and shops.

### **Blossii collection:**

The Blossi collection include the following products:

- Blossi 1
- Blossi Wall/Ceiling
- Blossi Table
- Blossi Table In-Set Table
- Blossi Floor  $\phi$ 23
- Blossi Floor  $\phi$ 29
- Blossi 8



## TECHNICAL INFO

**Product no.:** 96480121

**Type:** Wall Light - Indoor

**Colour:**

Glass: Clear

Metal: Nordic Gold

**Materials:**

Powder coated metal

Mouth-blown glass

**Dimensions:**

ø9,06in x 3,54in

**Product weight:**

Product: 995 g

**Packaging:**

Dimensions: L: 11,26in x W: 11,26in x H: 6,61in

Weight: 420 g

Total weight incl. product: 1415 g

Number of parcels: 1

Material: Brown cardboard.

**Packaging - weight - material:**

Cardboard outside: 240 g

Cardboard inside: 155 g

Bubble wrap: 25 g

Plastic bag: 0 g

**Cleaning:**

Use a soft dry cloth to clean the product.

Do not use household cleaners.

**Certifications and labels:**

CE - CE-certified

IP20 - IP20

⊕ - Class I

This fixture is fabricated with UL rated components, but the fixture itself is not UL listed. This option may be available for an additional fee.

**Light source/Light Output:**

6W Integrated LED / A+

Lumen: 162 lm

Colour Temp.: 2418 Kelvin

CRI: Ra81,7

Voltage (V): 120V

**Dimmability:**

Can be fitted with a standard trailing edge dimmer.

**DALI compatible**

## Safety instructions

Important! Before commencing installation work disconnect the main cable from the power supply - remove fuse or turn switch to "OFF"!

1. Installation should be carried out in accordance with the local safety regulations.
2. In order to prevent damage, please check walls for cables before drilling holes.
3. Please ensure that all electrical connections (even preassembled lamps) are screwed tightly or are fully inserted as good contact is essential for a long life-span at high currents. Please check for tight connections after changing or adjusting lamps. Screwed connections must be tightened after 20 minutes.
4. Please do not place objects on your system (e.g. for decorative purposes) if they were not delivered with the system.
5. The lamps get very hot when in use. Please allow lamps to cool down before touching.
6. Do not change lamps or spots when switched on.
7. System should not be enlarged with additional lamps.
8. We reserve the right to technical alterations.

Please keep these instructions.

Europe: Integrated LED - Voltage: 230 VAC

North America: Integrated LED - Voltage: 120 VAC

Use of a dimmer is highly recommended

(Must be LED compatible.)

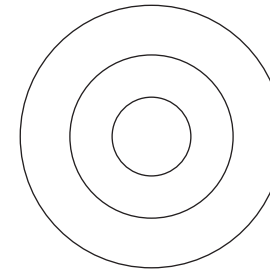
The glass used for this lamp is hand-blown.

Only 1st. quality has been chosen.

Air bubbles and variations in thickness and colour is normal.

# Blossi Wall/Ceiling

## Assembly Instructions



NUURA

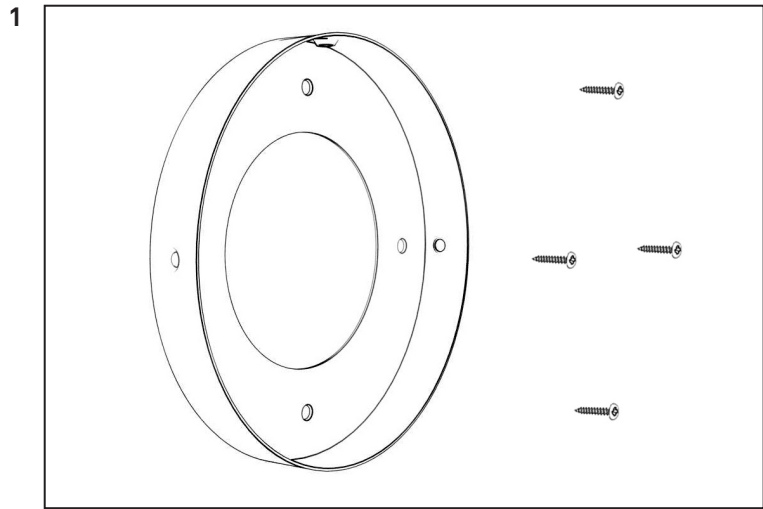
www.nuura.com  
info@nuura.com

© 2018 All rights reserved

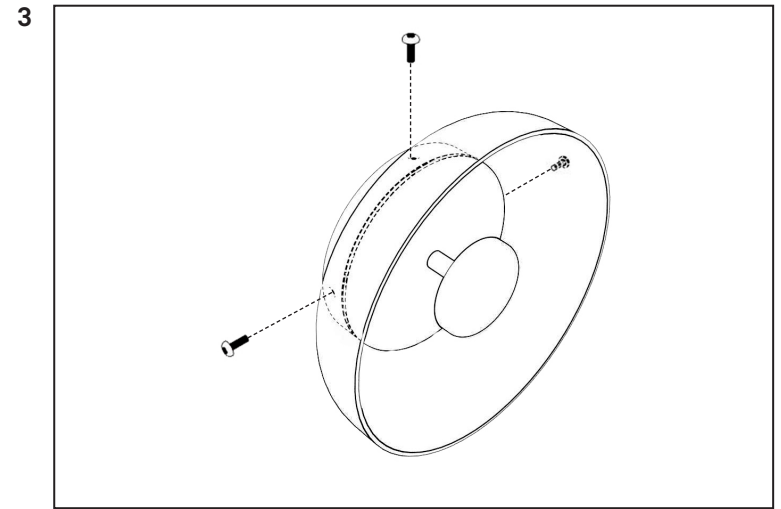
CE

NUURA

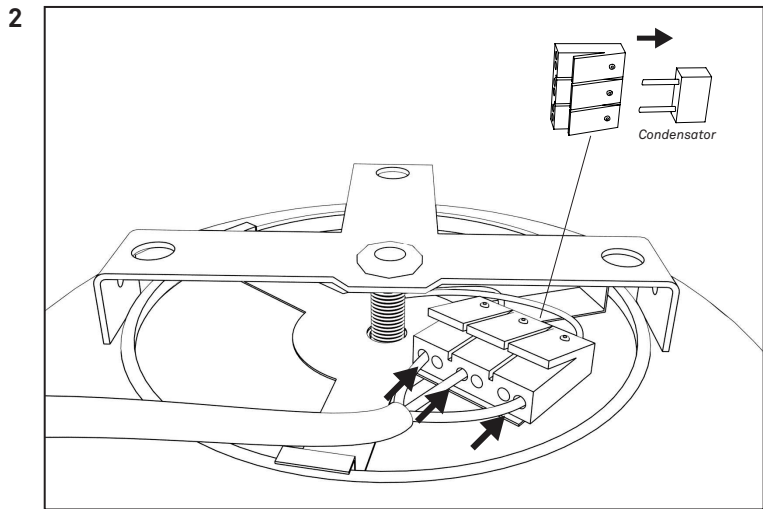
© 2018 All rights reserved



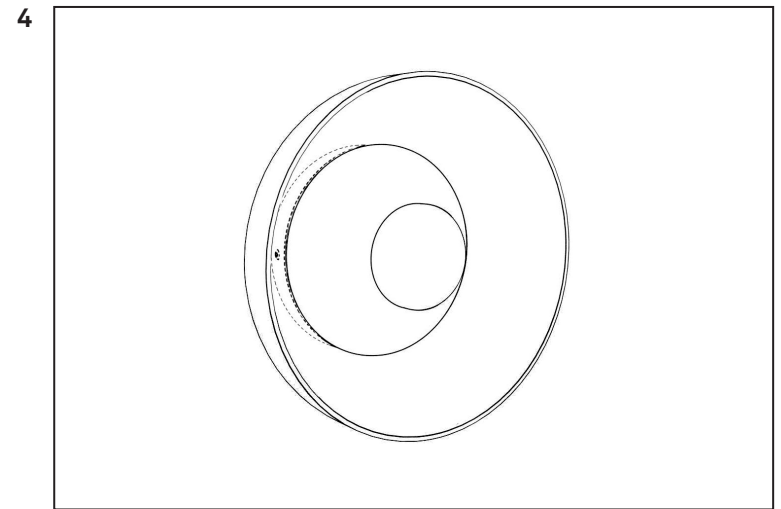
Mount the mounting plate to the wall or ceiling. Please make sure it is fixated properly.



Secure the light fixture with the 3 screws.



Install the power cable by leading it into the cable connector.  
 NB: If you plan to use a dimmer please remove the condensator from the cable connector to avoid double resistance.



Completed.