

NUURA



BLOSSI TABLE

Design: Sofie Refer, 2019. US-model.

Blossi Table in mouth blown Opal White glass and Black finish.

Inspired by the golden light during the Nordic fall, Blossi Collection is designed to give an indirect and soft light.

A special recessed LED provides a soft light reflected in the metallic finish of the shade. Blossi Collection has beautifully rounded glass lampshades that complete the soft appearance.

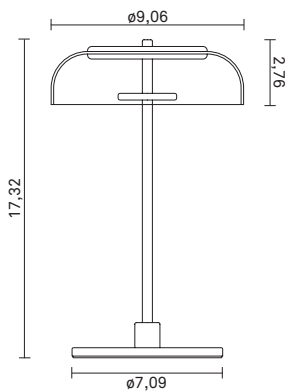
The Blossi collection has a wide variety of uses and is suitable for both domestic and public spaces.

Blossi Table works beautifully as a classic desk light as well as in any interior decoration for an over all ambience.

Blossi collection:

The Blossi collection include the following products:

- Blossi 1
- Blossi Wall/Ceiling
- Blossi Table
- Blossi Table In-Set Table
- Blossi Floor ϕ 23
- Blossi Floor ϕ 29
- Blossi 8



NUURA

TECHNICAL INFO

Product no.: 96530724

Type: Table Light - Indoor

Colour:

Glass: Clear
Metal: Nordic Gold
Cable: Black

Materials:

Powder coated metal
Mouth-blown glass
Fabric covered cable

Dimensions:

ø9,06in x 17,32in
Fabric cable - Length: 78,74in

Product weight:

Product: 3342 g

Packaging:

Dimensions: L: 20,98in x W: 10,16in x H: 10,47in
Weight: 1023 g
Total weight incl. product: 4365 g
Number of parcels: 1
Material: Brown cardboard.


Packaging - weight - material:

Cardboard outside: 517 g
Cardboard inside: 456 g
Bubble wrap: 25 g
Plastic bag: 25 g

Cleaning:

Use a soft dry cloth to clean the product.
Do not use household cleaners.

Certifications and labels:

CE - CE-certified
IP20 - IP20
 - Class II

This fixture is fabricated with UL rated components, but the fixture itself is not UL listed. This option may be available for an additional fee.

Light source/Light Output:

6W Integrated LED / A+
Lumen: 255 lm
Colour Temp.: 2585 Kelvin
CRI: Ra84,1
Voltage (V): 120V

Dimmability:

Fitted with dimmer

DALI compatible - On request

Safety instructions

Important! Before commencing installation work disconnect the main cable from the power supply - remove fuse or turn switch to "OFF"!

1. Installation should be carried out in accordance with the local safety regulations.
2. In order to prevent damage, please check walls for cables before drilling holes.
3. Please ensure that all electrical connections (even pre-assembled lamps) are screwed tightly or are fully inserted as good contact is essential for a long life-span at high currents. Please check for tight connections after changing or adjusting lamps. Screwed connections must be tightened after 20 minutes.
4. Please do not place objects on your system (e.g. for decorative purposes) if they were not delivered with the system.
5. The lamps get very hot when in use. Please allow lamps to cool down before touching.
6. Do not change lamps or spots when switched on.
7. System should not be enlarged with additional lamps.
8. We reserve the right to technical alterations.

Please keep these instructions.

Europe: Integrated LED - Voltage: 230 VAC

North America: Integrated LED - Voltage: 120 VAC

Use of a dimmer is highly recommended

(Must be LED compatible.)

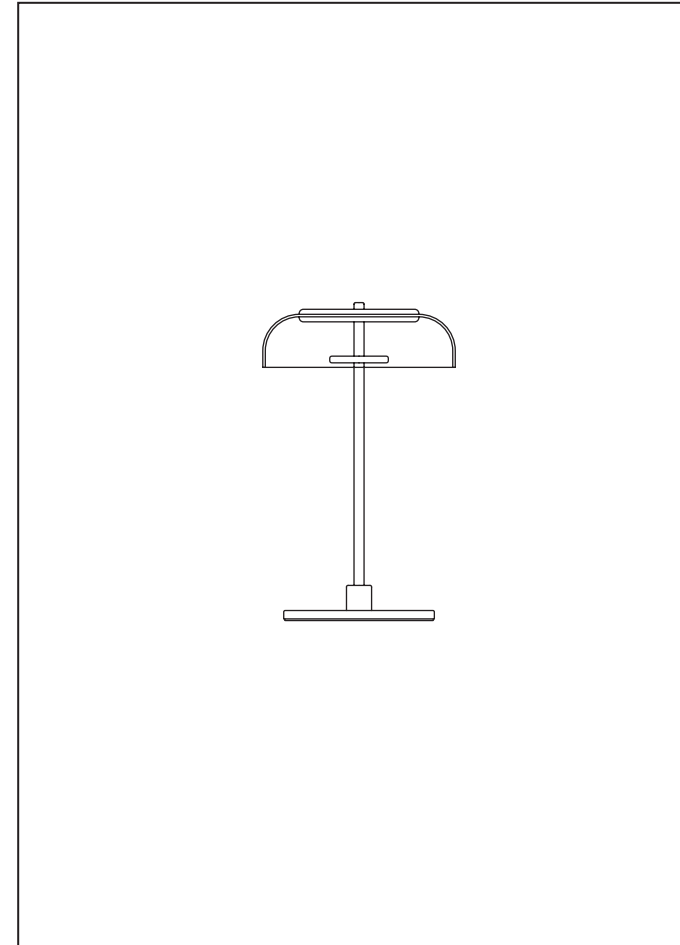
The glass used for this lamp is hand-blown.

Only 1st. quality has been chosen.

Air bubbles and variations in thickness and colour is normal.

Blossi Table

Assembly Instructions



NUURA

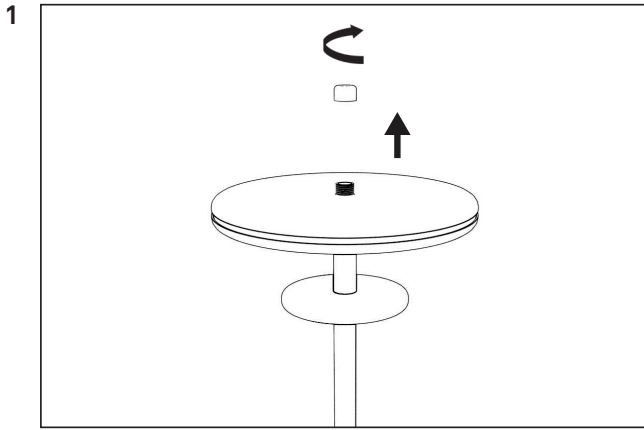
www.nuura.com
info@nuura.com

© 2018 All rights reserved

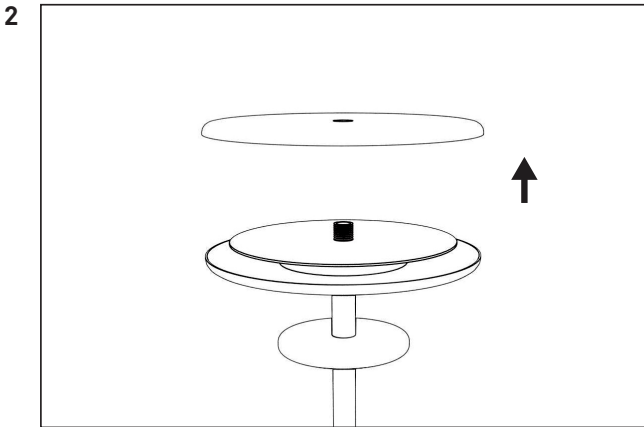


NUURA

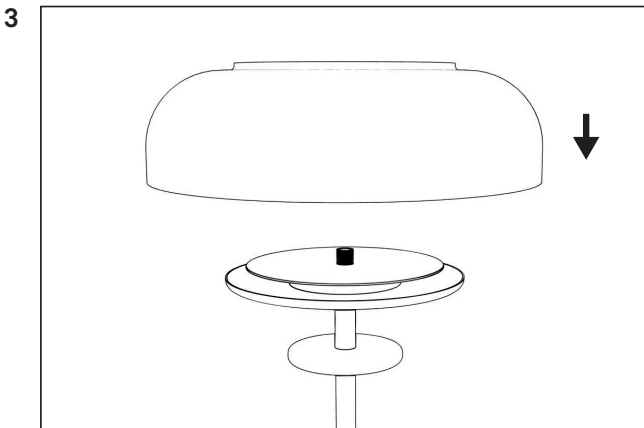
© 2018 All rights reserved



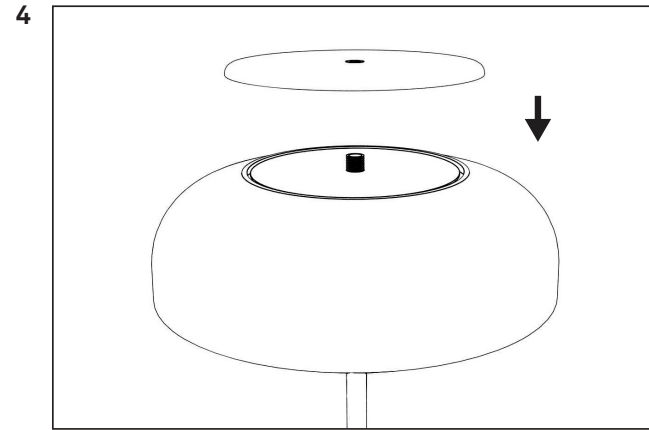
Unscrew the knob.



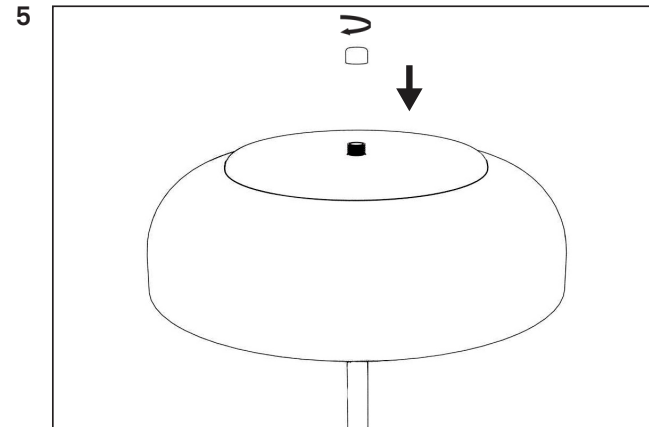
Carefully remove the top metal plate.



Carefully place the glass shade so it rests on the bottom metal plate.



Carefully place the metal plate on top of the glass shade.



Gently screw the knob back on to the lamp to fixate the glass shade.