

NUURA



APIALES 9 - Opal

Design: Sofie Refer, 2019. US-model.

Apiales 9 in mouth blown Opal White glass and Brushed Brass finish. Incl. Ceiling plate.

With inspiration from flowers, Sofie Refer has designed the chandelier collection, Apiales.

The collection consists of chandeliers with 9 or 18 mouth-blown glass globes and are available in golden Brushed Brass finish or the smooth Satin Black. A ceiling mounted version with 9 globes is also available in Brushed Brass.

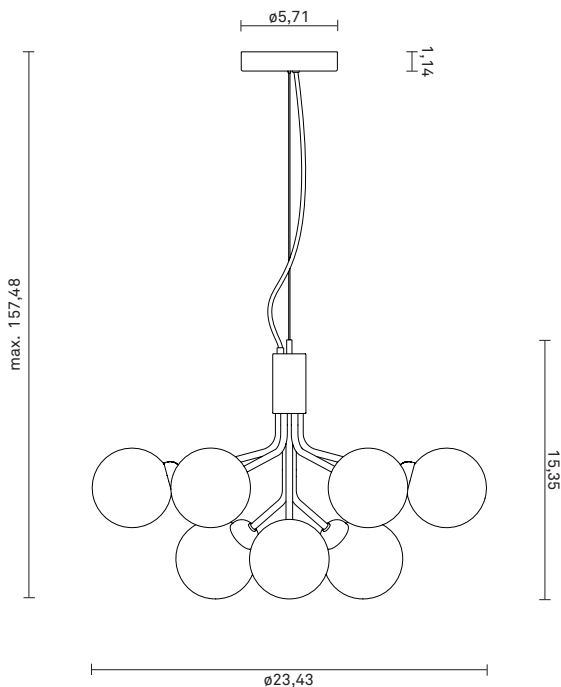
From a specially-produced canopy, the arms unfold like flower stalks from which light is spread with grace. Suitable for residential homes, restaurants and hotels.

Apiales 9 with its 23,43in in diameter, fits over the dining table, in the bedroom, or in the hall.

Apiales collection:

The Apiales collection includes the following products:

- Apiales 9 / Opal
- Apiales 9 Ceiling / Opal
- Apiales 18 / Opal



TECHNICAL INFO

Product no.: 93090424

Type: Suspension - Indoor

Colour:

Glass: Opal White

Metal: Brushed Brass Finish

Cable: Gold

Materials:

Anodized metal

Mouth-blown glass

Fabric covered cable

Dimensions:

ø23,43in x 15,35in

Ceiling plate: ø5,71in x 1,14in

Fabric cable - Length: 157,48in

Product weight:

Product incl. ceiling plate: 3990 g

Ceiling plate: 400 g

Packaging:

Dimensions: L: 20,28in x W: 20,28in x H: 18,31in

Weight: 2686 g

Total weight incl. product: 6676 g

Number of parcels: 1

Material: Brown cardboard.

Packaging - weight - material:

Cardboard: 2000 g

Foam: 600 g

Bubble wrap: 56 g

Plastic bag: 30 g

Cleaning:

Use a soft dry cloth to clean the product.

Do not use household cleaners.

Certifications and labels:

CE - CE-certified

IP20 - IP20

□ - Class II

This fixture is fabricated with UL rated components, but the fixture itself is not UL listed. This option may be available for an additional fee.

Light source:

Socket: G9

Max wattage: 9 x 3.2W (Bulb not included)

Voltage (V): 120V

Recommended light source:

Equivalent to Illumination G9 (344-09), 3.6W

Dimmability

Can be fitted with an aligned dimmer.

DALI compatible

Included ceiling plate:



Safety instructions

Important! Before commencing installation work disconnect the main cable from the power supply - remove fuse or turn switch to "OFF"!

1. Installation should be carried out in accordance with the local safety regulations.
2. In order to prevent damage, please check walls for cables before drilling holes.
3. Please ensure that all electrical connections (even pre-assembled lamps) are screwed tightly or are fully inserted as good contact is essential for a long life-span at high currents. Please check for tight connections after changing or adjusting lamps. Screwed connections must be tightened after 20 minutes.
4. Please do not place objects on your system (e.g. for decorative purposes) if they were not delivered with the system.
5. The lamps get very hot when in use. Please allow lamps to cool down before touching.
6. Do not change lamps or spots when switched on.
7. System should not be enlarged with additional lamps.
8. We reserve the right to make technical alterations.

Please keep these instructions.

Fitting: G9

Use of a dimmer is highly recommended
(Must be compatible with type of bulb.)

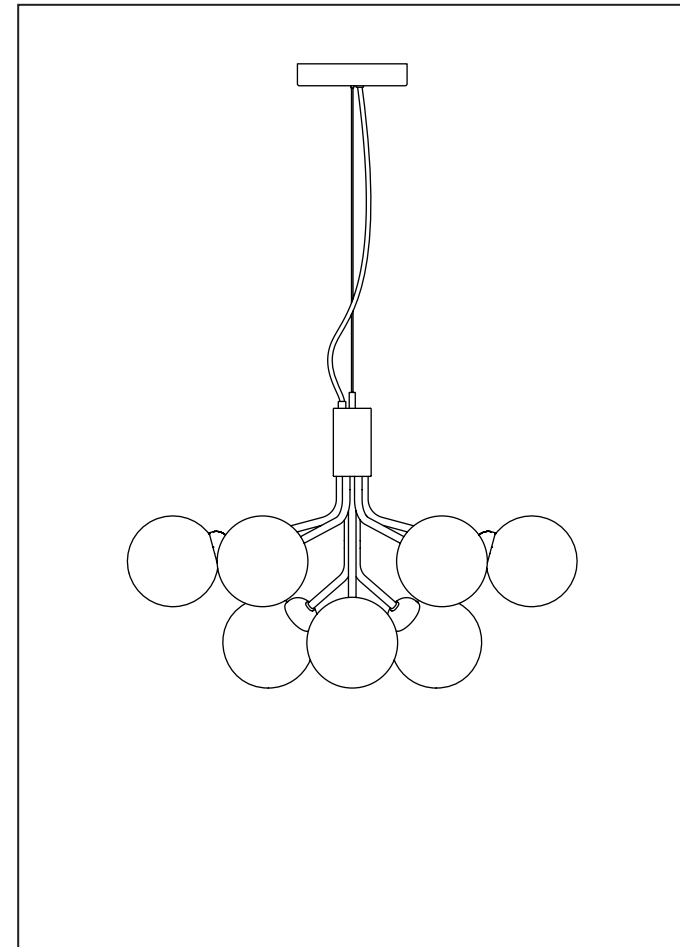
The glass used for this lamp is hand-blown.

Only 1st. quality has been chosen.

Air bubbles and variations in thickness and colour is normal.

Apiales 9/18

Assembly Instructions



NUURA

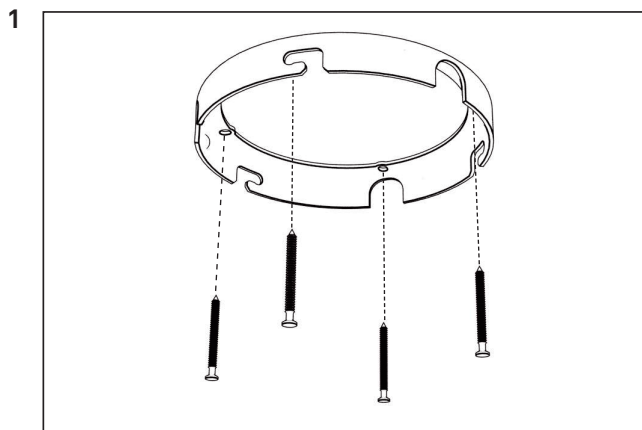
www.nuura.com
info@nuura.com

© 2019 All rights reserved

CE

NUURA

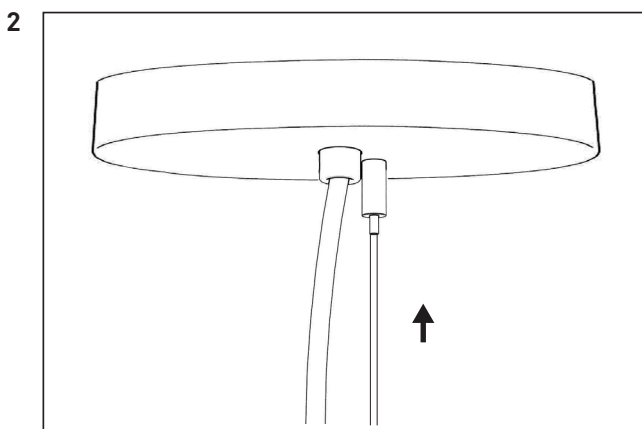
© 2019 All rights reserved



Mount the bracket to the ceiling with screws.

Please make sure it is fixated properly.

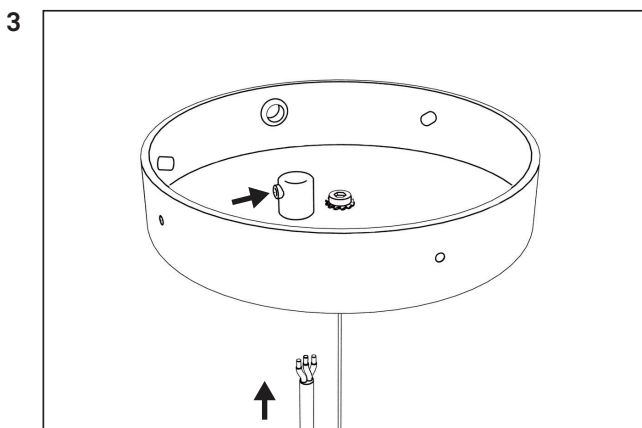
Weight:
 Apiales 9: 3,99 kg
 Apiales 18: 7,39 kg



Press the wire through the wire lock to adjust the chandelier to the desired height.

If you have pressed too much of the wire through the wire lock you can press the top of the wire lock to release the wire.

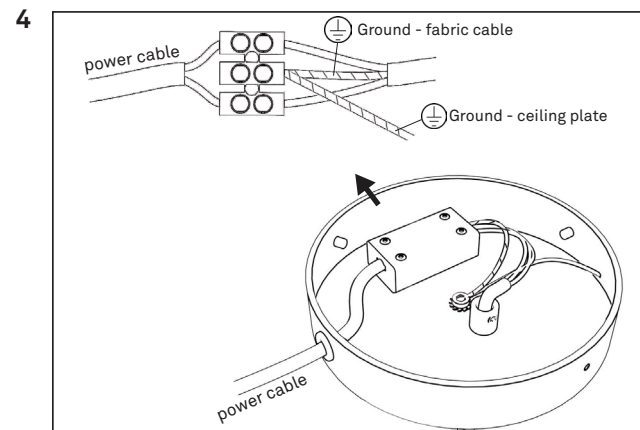
WARNING: Always support the chandelier when releasing the wire from the wire lock.



Lead the fabric cable in through the cable relief inside of the ceiling plate.

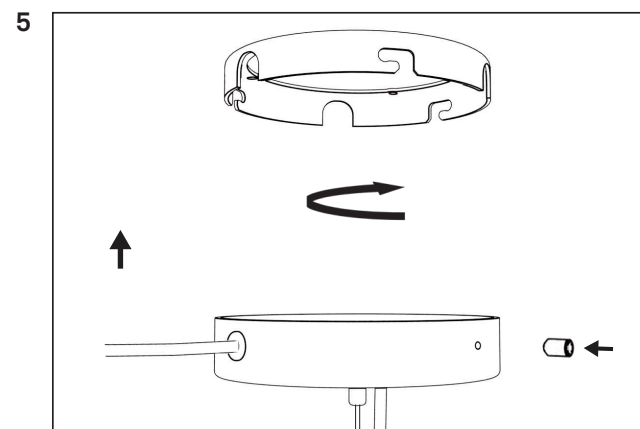
Adjust the length of the cable to the desired length and then add a bit of slack. It is important that the chandelier is hung by the wire - **NOT** by the fabric cable.

Be sure to tighten the screw carefully.



1. Lead the fabric cable into the cable connector. NB: After adjusting the length carefully reinsert the cables in same positions: Ground cable from ceiling plate and ground cable in the center of the cable connector.

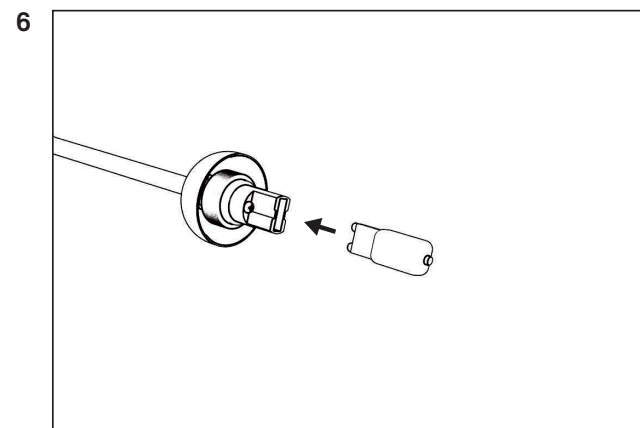
2. Install the power cable by leading it through the side of the ceiling plate through the cable relief and into the cable connector. Please make sure the cable relief is tightened.



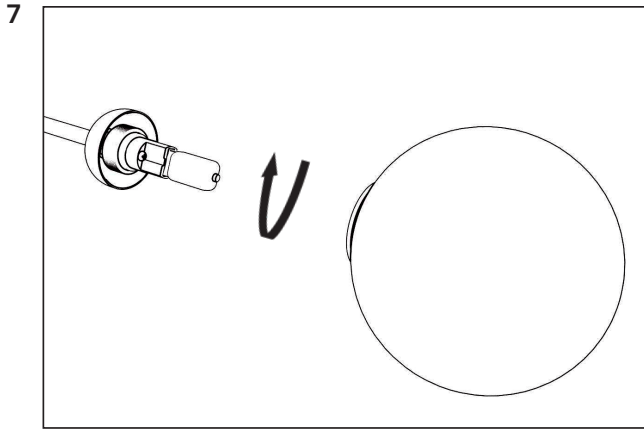
Attach the ceiling plate to the bracket by turning the ceiling plate.

Fixate with the socket screw.

Please make sure everything is fixated properly.



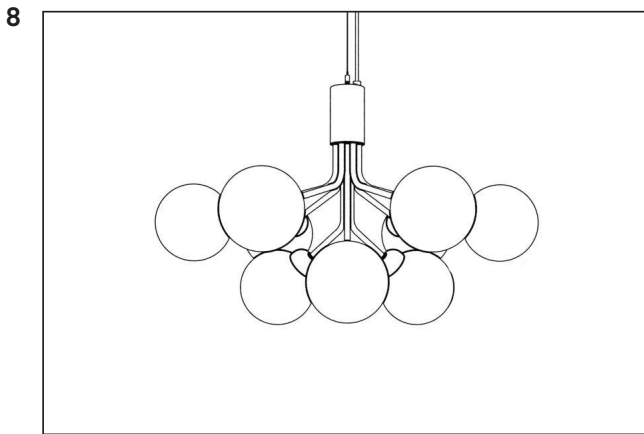
Place a G9 light bulb in the socket.



Take the glass globe and carefully place it over the light bulb and socket.

Fixate it by turning the glass globe clockwise.

Please make sure they are fixated properly.



Completed.