



PRODUCT SHEET

**Androgyne Dining Table**  
*by Danielle Siggerud*

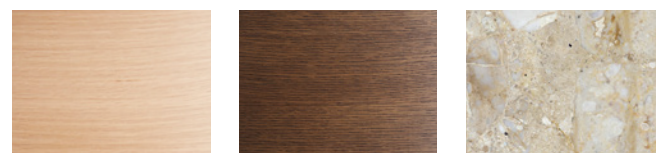
# Androgyne Dining Table

BY DANIELLE SIGGERUD

Dining table with natural or dark stained solid oak base. Tabletop in matching colour (Ø120, Ø150) or kunis breccia stone (Ø120).

## PRODUCT OPTIONS

### TABLETOP



NATURAL OAK

DARK STAINED OAK

KUNIS BRECCIA STONE

### OAK BASE



NATURAL OAK

DARK STAINED OAK

Androgyne Dining Table, Dark Stained Oak, by Danielle Siggerud  
Harbour Dining Chair, Dark Stained Oak / Grisaille Col. 4 Marccasin,  
by Norm Architects



# Androgyne Dining Table

BY DANIELLE SIGGERUD

## TECHNICAL SPECIFICATIONS

### PRODUCT TYPE

Dining table

### ENVIRONMENT

Indoor

### DIMENSIONS

#### Ø120

W/D: 89 cm / 35"

H: 73 cm / 28,8"

Ø: 120 cm / 47,2"

#### Ø150

W/D: 89 cm / 35"

H: 73 cm / 28,8"

Ø: 150 cm / 59,1"

### PRODUCTION PROCESS

CNC cut solid wood base. Tabletop in veneered MDF, or CNC cut Kunis Breccia stone.

### COLOUR

#### Base and tabletop

Natural oak

Dark stained oak

#### Marble top

Sand, Kunis Breccia stone

### GLOSS

N / A

### MATERIALS

Natural and dark stained solid wood, natural and dark stained veneer, MDF, Kunis Breccia stone, powder coated steel, PA plast glides.

### WEIGHT

Wood base  
15 kg / 33,1 lb

Wood tabletop  
Ø120: 25 kg / 55,1 lb  
Ø150: 35 kg / 77,2 lb

Kunis breccia tabletop  
Ø120: 90 kg / 198,4 lb

### TEST

N / A

### CERTIFICATIONS

TSCA title VI compliant

### PACKAGING TYPE

Base  
Brown box

#### Wood tabletop

Brown box

#### Kunis Breccia tabletop

Wood box

### PACKAGING MEASUREMENTS (H x W x D)

#### Wood base

7 cm x 71,5 cm x 99,9 cm / 2,8" x 28,1" x 39,3"

#### Wood tabletop

##### Ø120

5,5 cm x 121,5 cm x 121,5 cm / 2,2" x 47,8" x 47,8"

##### Ø150

5,5 cm x 151,5 cm x 151,5 cm / 2,2" x 59,6" x 59,6"

#### Kunis breccia tabletop

##### Ø120

10 cm x 130 cm x 130 cm / 4" x 51,2" x 51,2"

### MATERIALS & MAINTENANCE

Please visit [menuspace.com](https://www.menuspace.com) for materials and care and maintenance instructions.

# Androgyne Dining Table

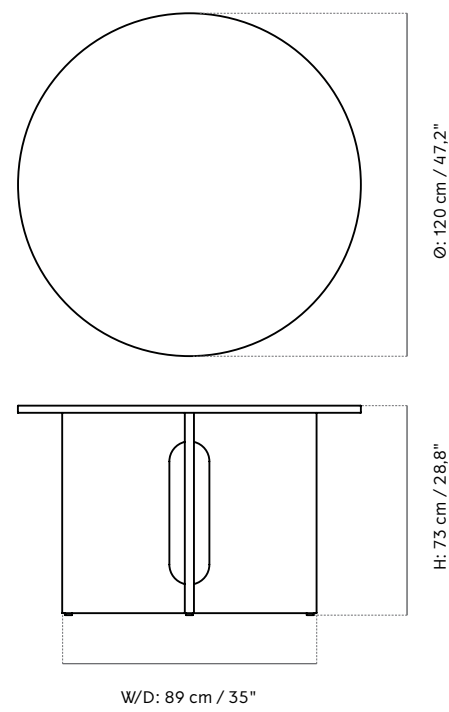
BY DANIELLE SIGGERUD

---

## TECHNICAL DRAWING

---

ANDROGYNE DINING TABLE, Ø120



# Androgyne Dining Table

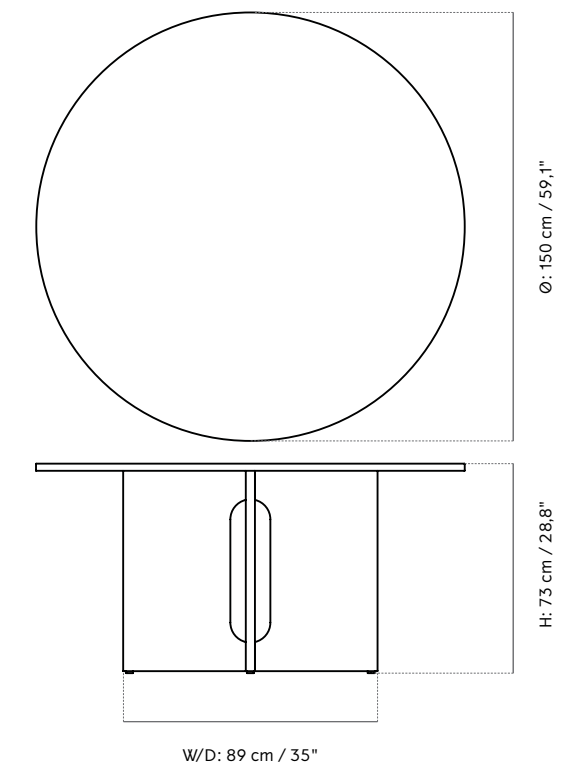
BY DANIELLE SIGGERUD

---

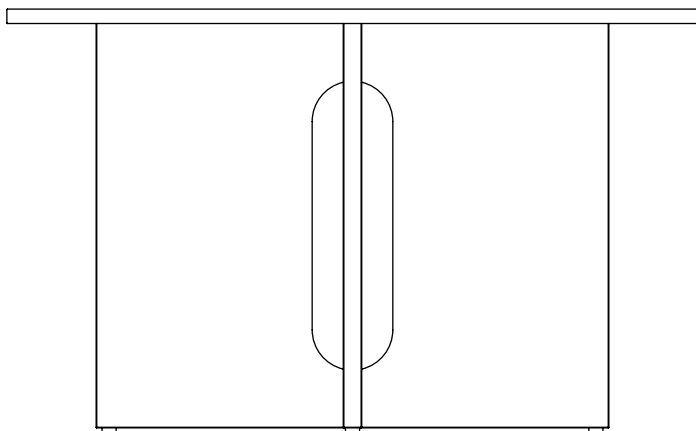
## TECHNICAL DRAWING

---

ANDROGYNE DINING TABLE, Ø150



# Androgyne Dining Table by Danielle Siggerud



MENU

**Congratulations:**

Congratulations with your new dining table designed by Danielle Siggerud. We hope you will enjoy using this item and follow these instructions to ensure correct assembly. These instructions are provided for your safety. It is important that the instructions are read carefully and completely before assembling.

**Androgyne Dining Table**

In this range we have:

Androgyne Dining Table, Ø120 cm, Natural Oak

Androgyne Dining Table, Ø120 cm, Dark Stained Oak

Androgyne Dining Table, Ø120 cm, Natural Oak and Kunis Breccia Tabletop

Androgyne Dining Table, Ø120 cm, Dark Stained Oak and Kunis Breccia Tabletop

Androgyne Dining Table, Ø150 cm, Natural Oak

Androgyne Dining Table, Ø150 cm, Dark Stained Oak

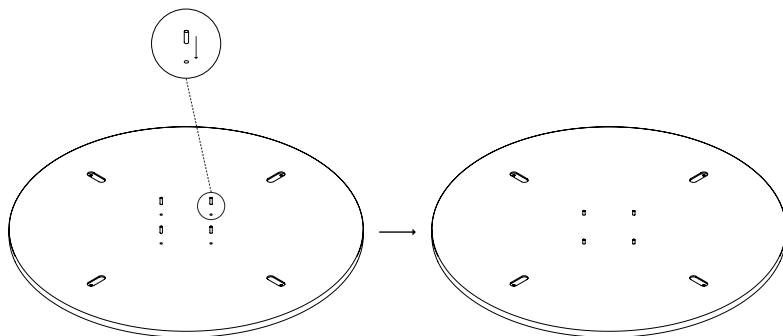
The assembling is the same across all variations.

**Care and maintenance**

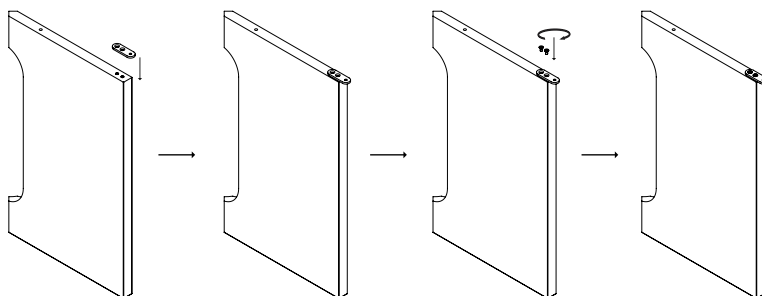
Please see care instructions on [www.menuspace.com](http://www.menuspace.com)

1

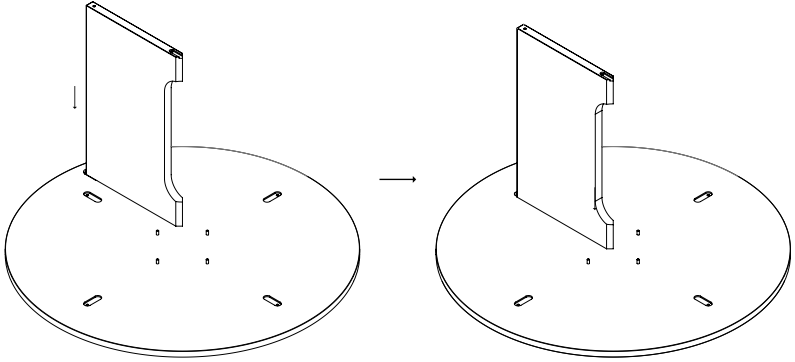
**NOTE** - Please ensure that all assembly is done on a soft and flat surface, to ensure that the components will not be damaged/scratched.



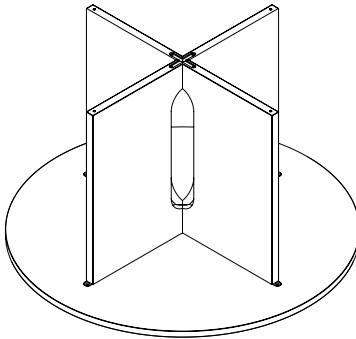
2



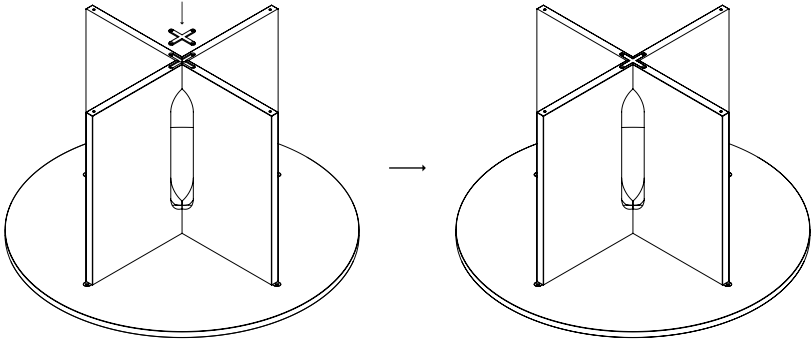
3



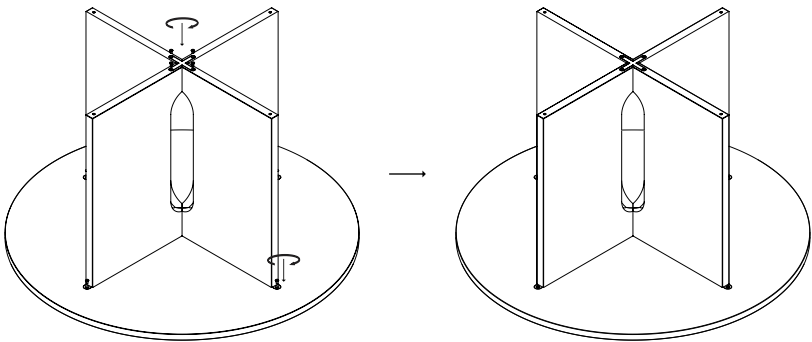
4



5

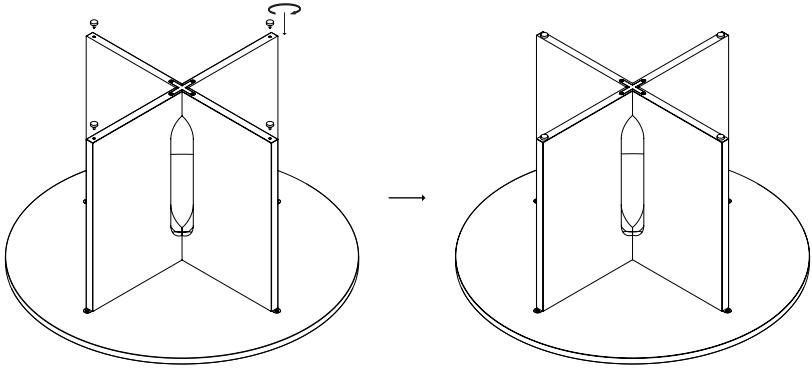


6





7



8

