

JWDA Floor Lamp



Floor Lamp

Lighting — Product Sheet
menu.as

by Jonas Wagell



JWDA Floor Lamp



Reworking the dimensions of the JWDA Table Lamp to create a pared-back light with a bold personality, the Floor Lamp is the latest addition to the series. The simple, standalone design merges contrasting elements to elegant effect: set on a stem of powder-coated steel or solid brass, the shade is formed from opal glass into an elliptical shape, while the base retains its characteristic form, crafted from marble with gently rounded edges and punctuated with a decorative dimmer switch in brushed or bronzed brass.

Part of a series of lighting inspired by traditional oil lamps, the JWDA Floor Lamp takes the expression of the series' table lamp to elegant new heights. Pared back to its purest form, the lamp is a study in the contrasts of natural materials: set on a substantial marble base, rounded at the edges for a soft expression, the elegant tubular metal stem – available in powder-coated steel or solid brass – holds an elliptical opal glass shade that emits a soft, ambient light. A brass dimmer switch lets you control the brightness of the bulb – for reading or relaxing, or simply to create ambience in a room. Conveying a sense of familiarity and warmth, the JWDA Floor Lamp illuminates any setting with bold elegance.

Product Type

Floor lamp

Environment

Indoor

Dimensions (cm / in)

H: 150 cm / 59"

Ø: 39 or 28 cm / 15,3" or 11"

Colours

Travertine, Opal, Brushed Brass

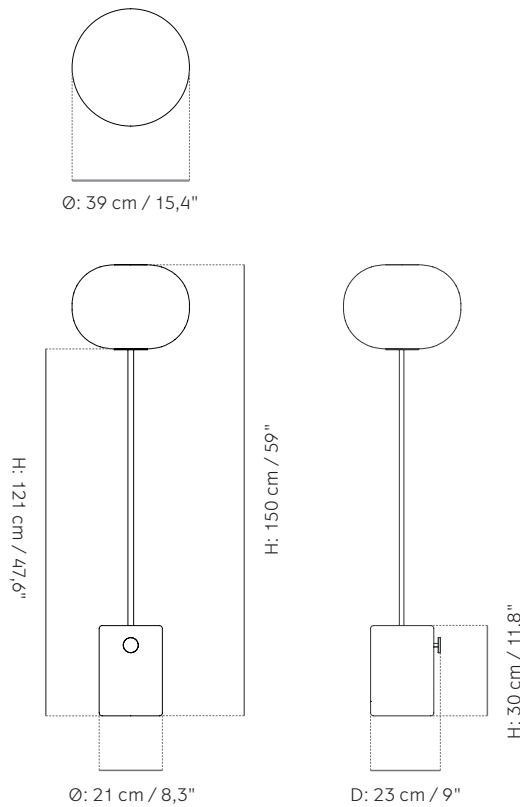
White Marble, Opal, Bronzed Brass

About the Designer

Swedish architect and designer Jonas Wagell is widely revered for his modern product and furniture design comprising soft, minimalist shapes with a welcoming expression. His Stockholm-based studio, JWDA, was founded in 2008 and boasts collaborative relations that stretch from Scandinavia and Europe to China and North America. An alumnus of the prestigious schools Konstfack in Stockholm and Parsons in New York City, Jonas Wagell's award-winning work combines graphic simplicity and playfulness to create pieces that typify modern-day life.

JWDA Floor Lamp

Technical Specifications



Production Process

Mouth Blow Glass shade, Machine cut base with a hand polished finish. Details in cut solid Brass

Materials

Travertine, Brushed Brass, Steel, Opal Glass, E27 or Carrara Marble, Bronzed Brass, Steel, Opal Glass, E27

Weight item (kg)

Lamp shade: 2,3 kg
Base, Travertine: 11,3 kg
Base, White Marble: 12,6 kg

Voltage (V)

230 V

Light Source & Energy Efficiency Class

E27, 8W

Light Specification

700 Lumen
2200 Kelvin
RA Kelvin
Ra > 80

Dimmer

Yes, on the base.

Canopy

No.

Cord Material and Colour

Textile, Black.

Cord Length (cm / in)

250 cm

Certifications

LVD: EN 60598-2-4:1997; EN60598-2-1:1989; EN 60598-1:2015; EN 62493:2015
EMC: EN 55015:2013 + A1:2015; EN 61547:2009; EN 61000-3-2:2014; EN 61000-3-3:2013

Packaging Type

Brown Gift Box

Packaging Measurement (H * W * D)

Lampshade: 36 cm * 46,5 cm * 46,5 cm
Base: 133 cm * 28,5 cm * 28,5 cm

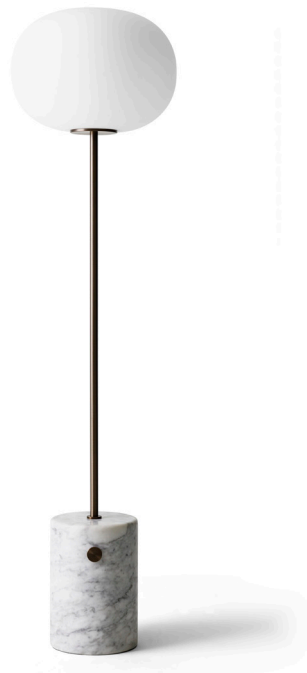
Care Instructions

Use a soft dry cloth to clean. Do not use any cleaners with chemicals or harsh abrasives. Avoid using water.

JWDA Floor Lamp

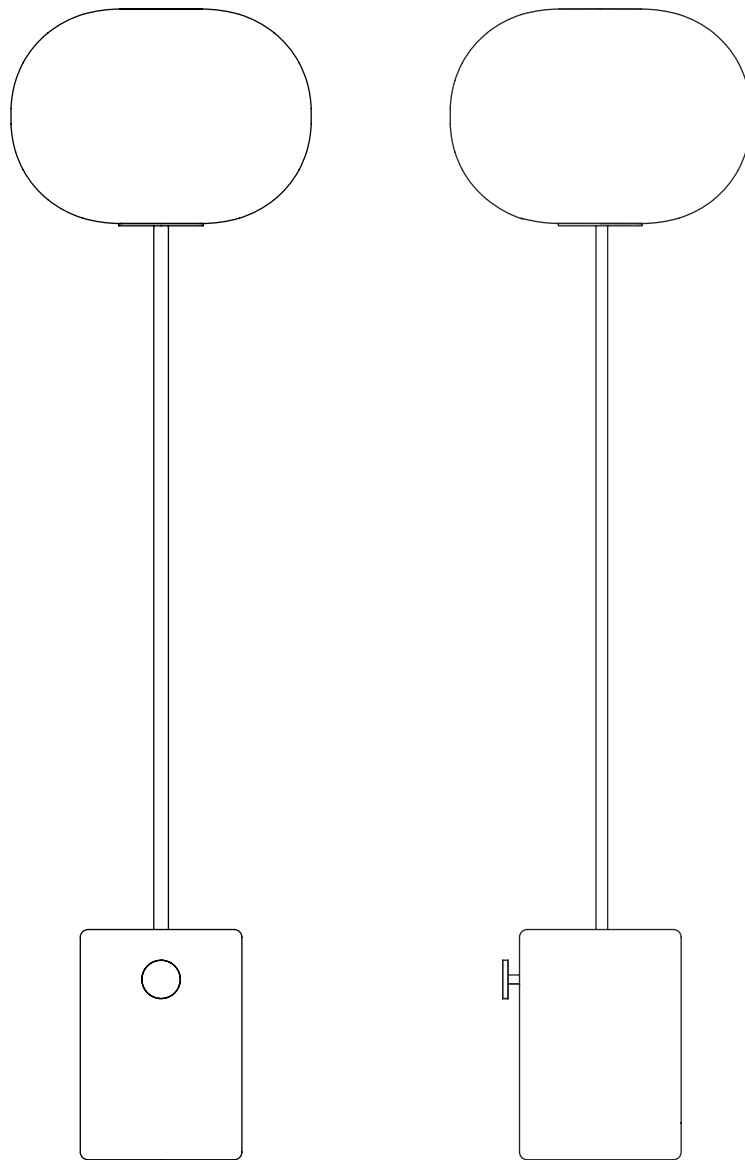


Travertine, Brushed Brass
1840619



White Marble, Bronzed Brass
1840639

JWDA Floor Lamp by Jonas Wagell



Congratulations:

Congratulations on your new lamp designed by Jonas Wagell. We hope you will enjoy using this lamp and follow these instructions to ensure correct installation. These instructions are provided for your safety. It is important that the instructions are read carefully and completely before assembling.

NB!!

Always moving the lamp lift the Lamp by its base and **NOT the stem**. This is to avoid bending of the stem

Component Overview:

1 pc JWDA Floor Lamp Base, Travertine Stone and Bronzed Brass and 1 pc Opal Glass Shade or
1 pc JWDA Floor Lamp, White Marble and Brushed Brass and 1 pc Opal Glass Shade.

Technical details:

250 cm Textile Cord w.o. Dimmer (Dimmer on base).
E27 Bulb, (Included).

Bulb:

E27 (Arbitrary)
8 W, 230 V
700 Lumen
2200 Kelvin
Ra > 80

The Lamp is tested according to:

LVD: EN 60598-2-4:1997; EN60598-2-1:1989; EN 60598-1:2015; EN 62493:2015
EMC: EN 55015:2013 + A1:2015; EN 61547:2009; EN 61000-3-2:2014; EN 61000-3-3:2013

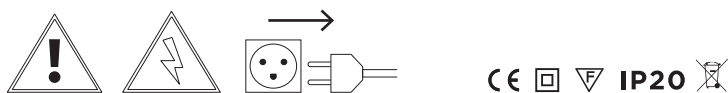
Please check the specific rules for electrical installation work in your country.
Some countries may require an authorised electrical contractor.

IMPORTANT

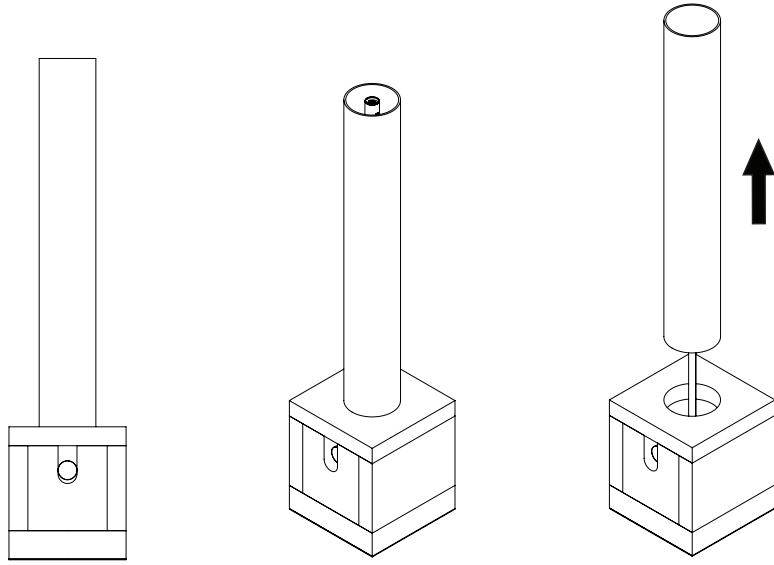
If you have any problems regarding the electrical installation, contact a certified electrician. Always shut off power to the circuit before starting installation work. The external flexible cable or cord of this luminaire cannot be replaced. If the cord is damaged, the luminaire shall be destroyed.

Care Instructions:

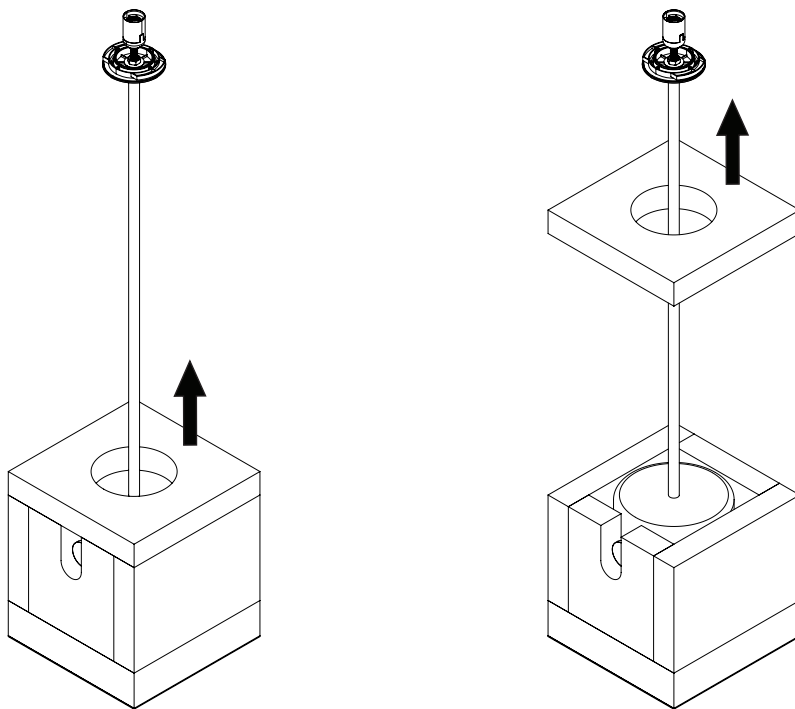
To clean simply wipe with a soft dry cloth. Turn off power before cleaning. Do not use any cleaners with chemicals, solvents, or harsh abrasives. The Brass parts are made off solid brass material. Solid Brass is a natural material, which will oxidize from the moment it is exposed to air. But to avoid the oxidation process we have added a fine layer of lacquer to keep the surface colour even.



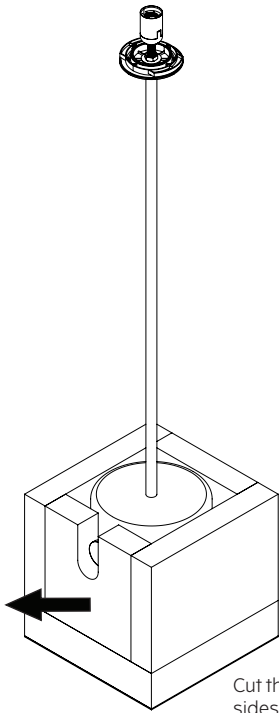
1



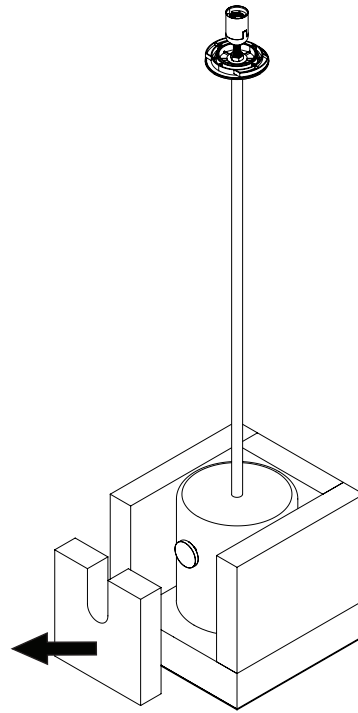
2



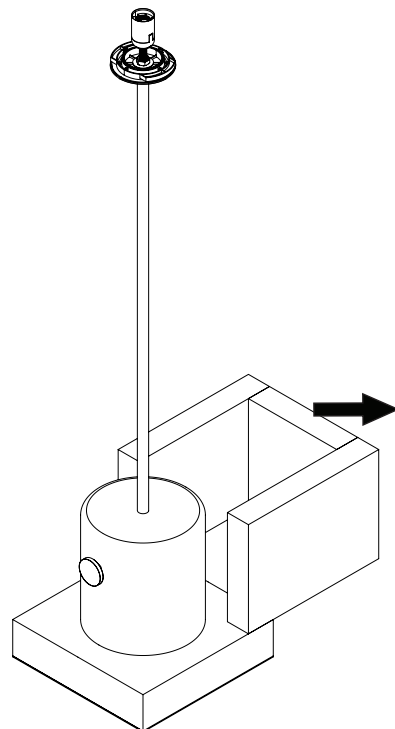
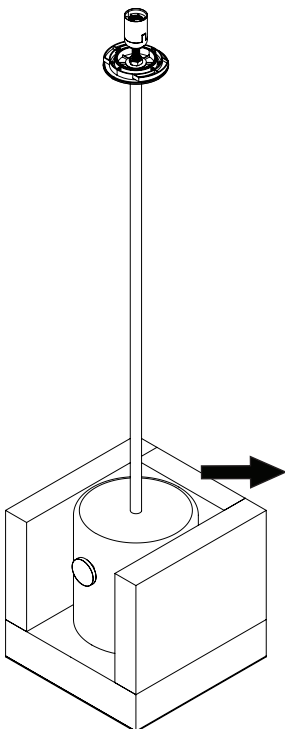
3



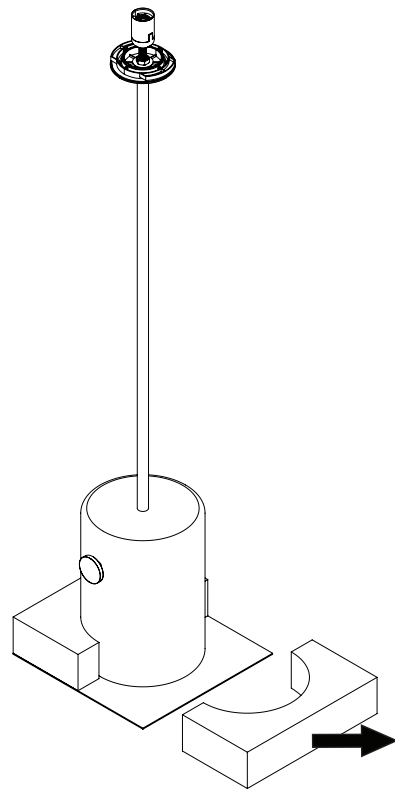
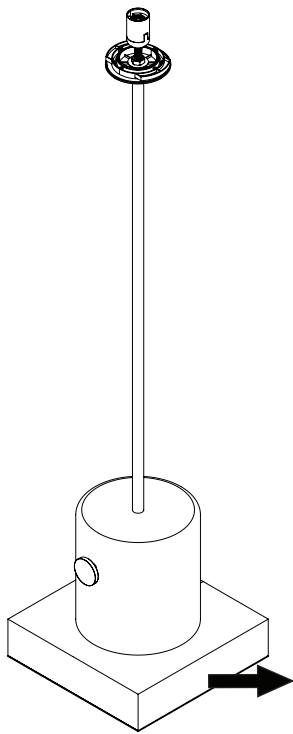
Cut the tape in the sides, and remove the part as shown.



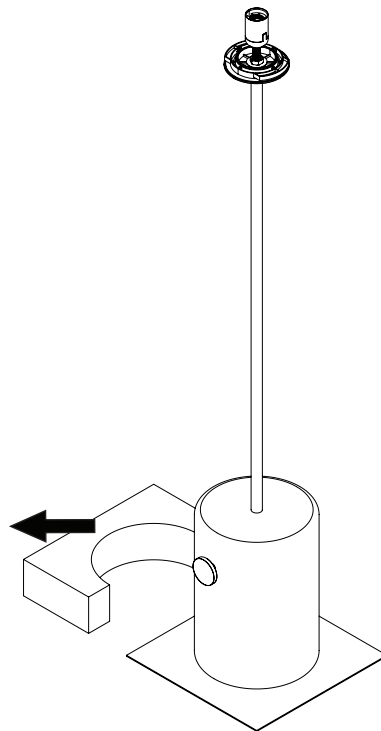
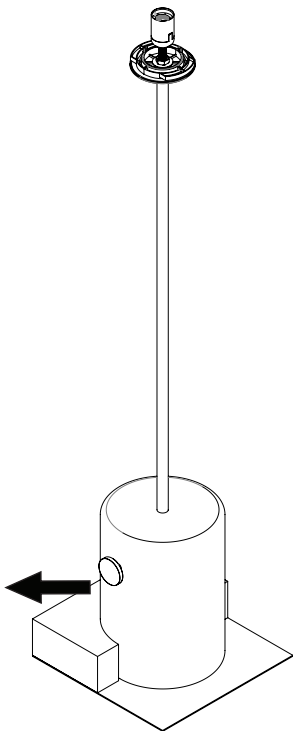
4



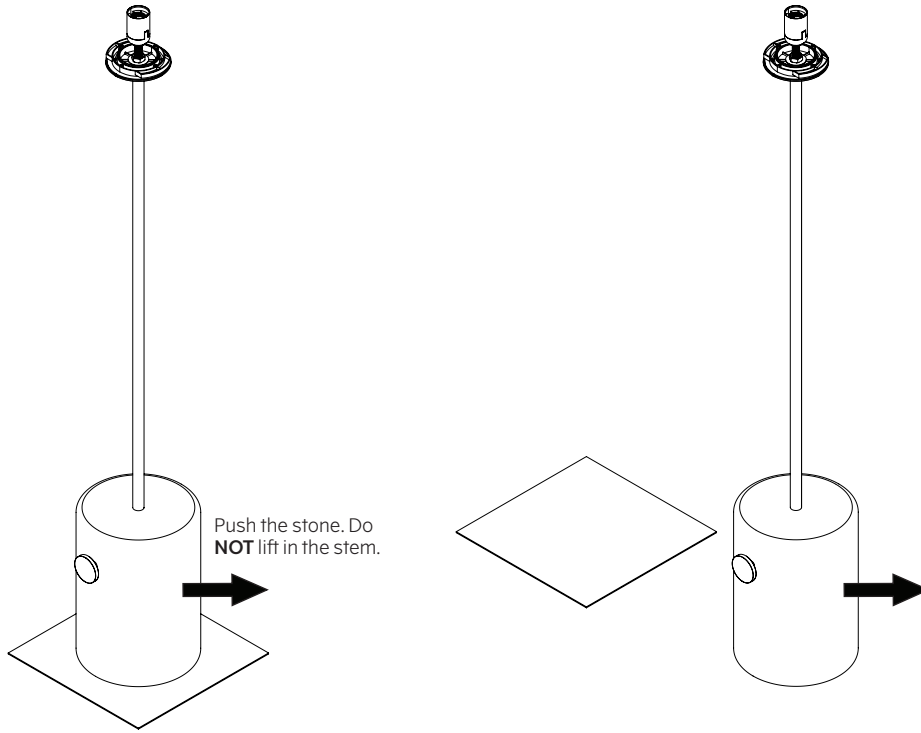
5



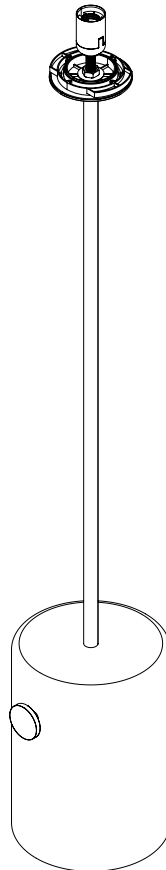
6



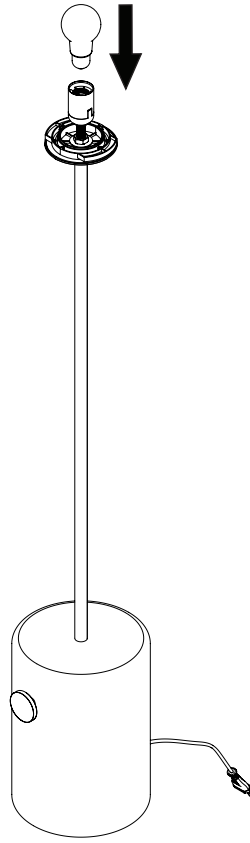
7



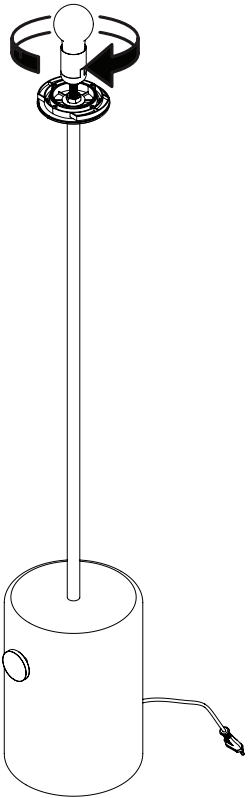
8



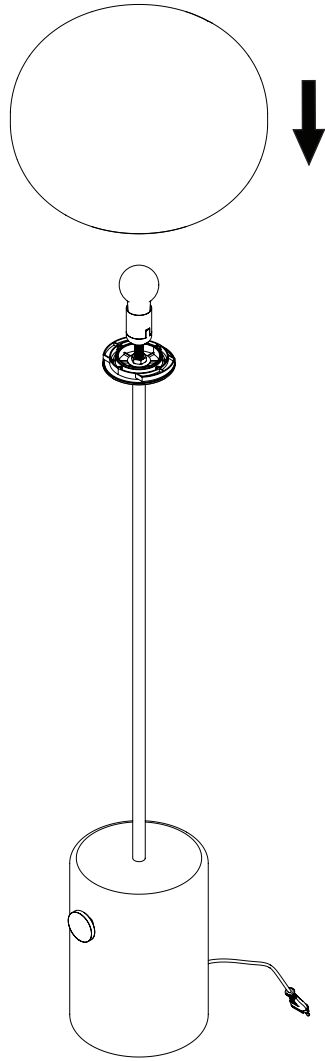
9



10



11



12

