

Gram

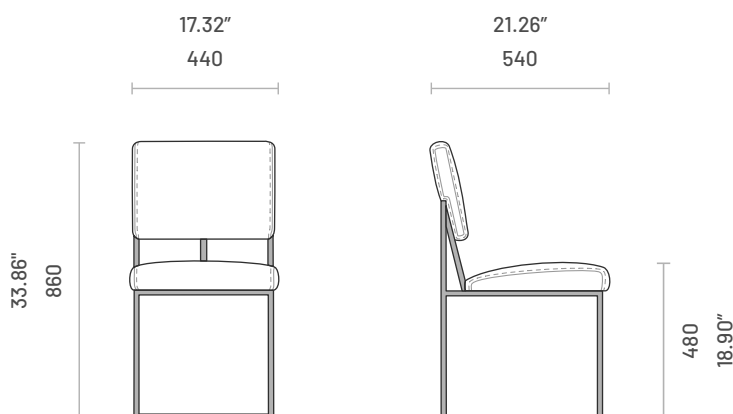
CHAIR

An eye-catching chair distinguished by its geometrical shapes created with the finest materials and finishes. Gram presents a metal structure that provides stability and comfort. To ensure you have a pleasant experience, an upholstered back and seat are featured, and that you can customize in materials and finishes to fit your residential or contract project. The same attractive design Gram chair can be seen in bar and counter chair versions, so you can include them together.



Specifications

Dimensions



Technical Information

Frame

Structure: Stainless Steel or Steel and MDF

Padding

Seat: 23kg/m³, 35kg/m³ polyurethane foam and 100gr polyester fibre

Backrest: 23kg/m³, 30kg/m³ polyurethane foam and 100 gr polyester fibre

Materials and Finishes

Overview






Available Finishes

	1	2
Fabrics		
Aldan	●	—
Arno	●	—
Astoria	●	—
Avalon	●	—
Bergen	●	—
Brampton	●	—
Clarence	●	—
Columbia	●	—
Devon	●	—
Galway	●	—
Helmand	●	—
Hudson	●	—
Osaka	●	—
Provence	●	—
Synthetic Leathers		
Rupert	●	—
Natural Leathers		
Albany	—	—
Aspen	●	—
Dover	●	—
Metals		
White Texturized	—	●
Black Texturized	—	●
Silver Polished	—	●
Gold Polished	—	●
Gold Brushed	—	●
Rose Gold Matte	—	●
Onyx Polished	—	●
Smoky Black Polished	—	●

COM Fabric and Leather Requirements

Item	1	
	Fabric	Leather
Gram Chair	 1.00 lm 3.28 ft	 2.00 m2 21.60 ft2

Packaging Information

Item	Number of Packages	Packaging Dimensions	Packaging Weight	
Gram Chair	 *2 chairs per package	Width: 526mm (20.71") Depth: 770mm (29.57") Height: 1151mm (45.31") Volume: 0.466m ³ (16.46ft ³)	 23.00kg	 50.70lb